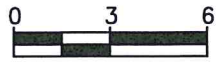


- NOTES:
- 1) LANE WIDTHS ARE TYPICAL
  - 2) VARIANCES ALLOWED ONLY AS APPROVED BY THE DEPARTMENT OF PUBLIC WORKS



**CITY OF KILLEEN**  
DEPARTMENT OF PUBLIC WORKS

**TYPICAL HALF CROSS SECTIONS  
FOR LOCAL/COLLECTOR STREETS**

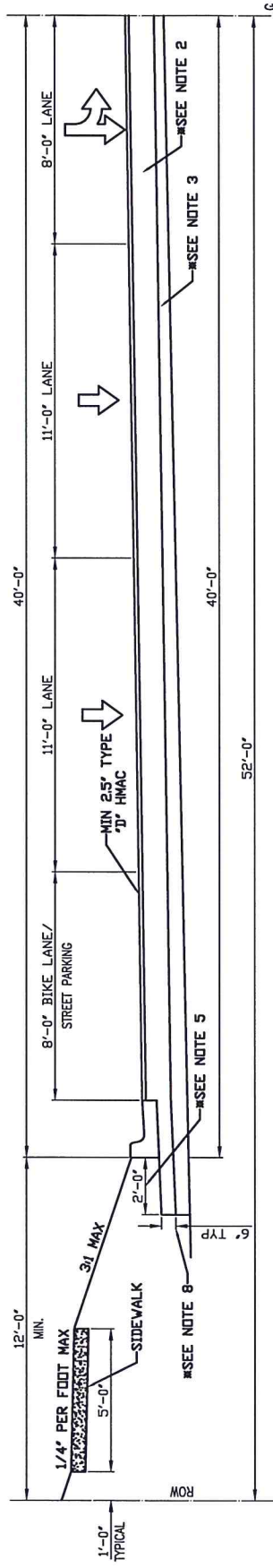
CONSTRUCTION STANDARDS AND DETAILS



T-01  
SCALE: N.T.S.  
ISSUE DATE: 08-01-13

• - SEE SHEET T-06 FOR NOTES.

6" PARABOLIC CROWN OR  
1/4" PER FOOT STRAIGHT CROWN



80 FOOT ARTERIAL (BACK TO BACK)  
(110' ROW)

- NOTES:
- 1) LANE WIDTHS ARE TYPICAL
  - 2) VARIANCES ALLOWED ONLY AS APPROVED BY THE DEPARTMENT OF PUBLIC WORKS



**CITY OF KILLEEN**  
DEPARTMENT OF PUBLIC WORKS  
CONSTRUCTION STANDARDS AND DETAILS

TYPICAL HALF CROSS SECTIONS  
FOR ARTERIAL STREETS

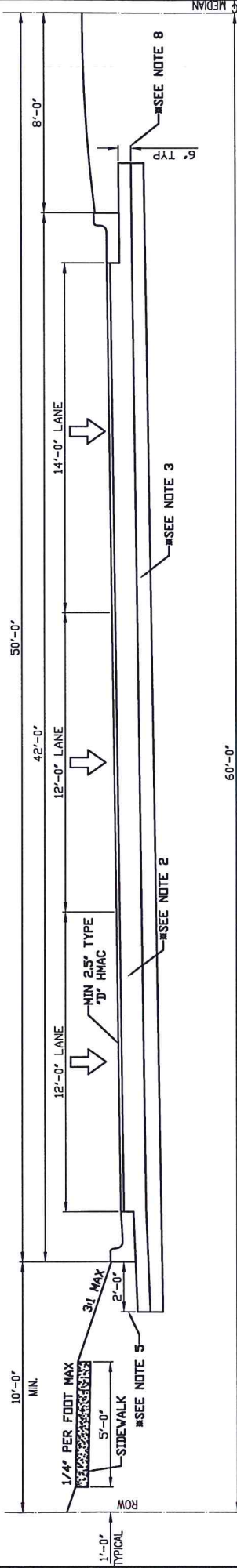
ISSUE DATE: 03-12-13  
SCALE: N.T.S.

T-02



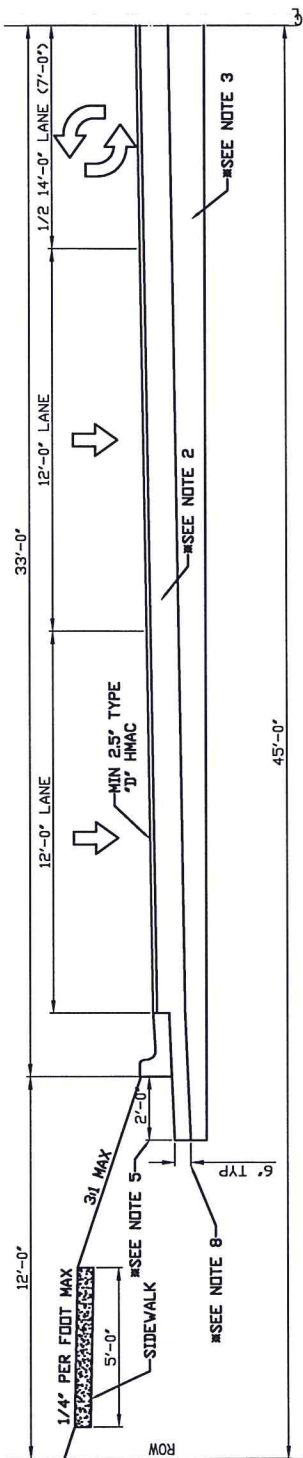
• - SEE SHEET T-08 FOR NOTES.

6" PARABOLIC CROWN OR  
1/4" PER FOOT STRAIGHT CROWN



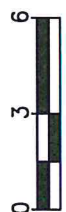
100 FOOT ARTERIAL (BACK TO BACK)  
(120' ROW)

- NOTES:
1. SUBJECT TO PUBLIC AND PRIVATE PARTICIPATION
  2. MEDIAN MAY BE WIDENED FOR 4-LANE ALTERNATIVE WITH OPTION FOR FUTURE EXPANSION TO 6-LANES.



66 FOOT ARTERIAL (BACK TO BACK)  
(90' ROW)

- NOTES:
- 1) LANE WIDTHS ARE TYPICAL
  - 2) VARIANCES ALLOWED ONLY AS APPROVED BY THE DEPARTMENT OF PUBLIC WORKS



**CITY OF KILLEEN**  
DEPARTMENT OF PUBLIC WORKS  
CONSTRUCTION STANDARDS AND DETAILS

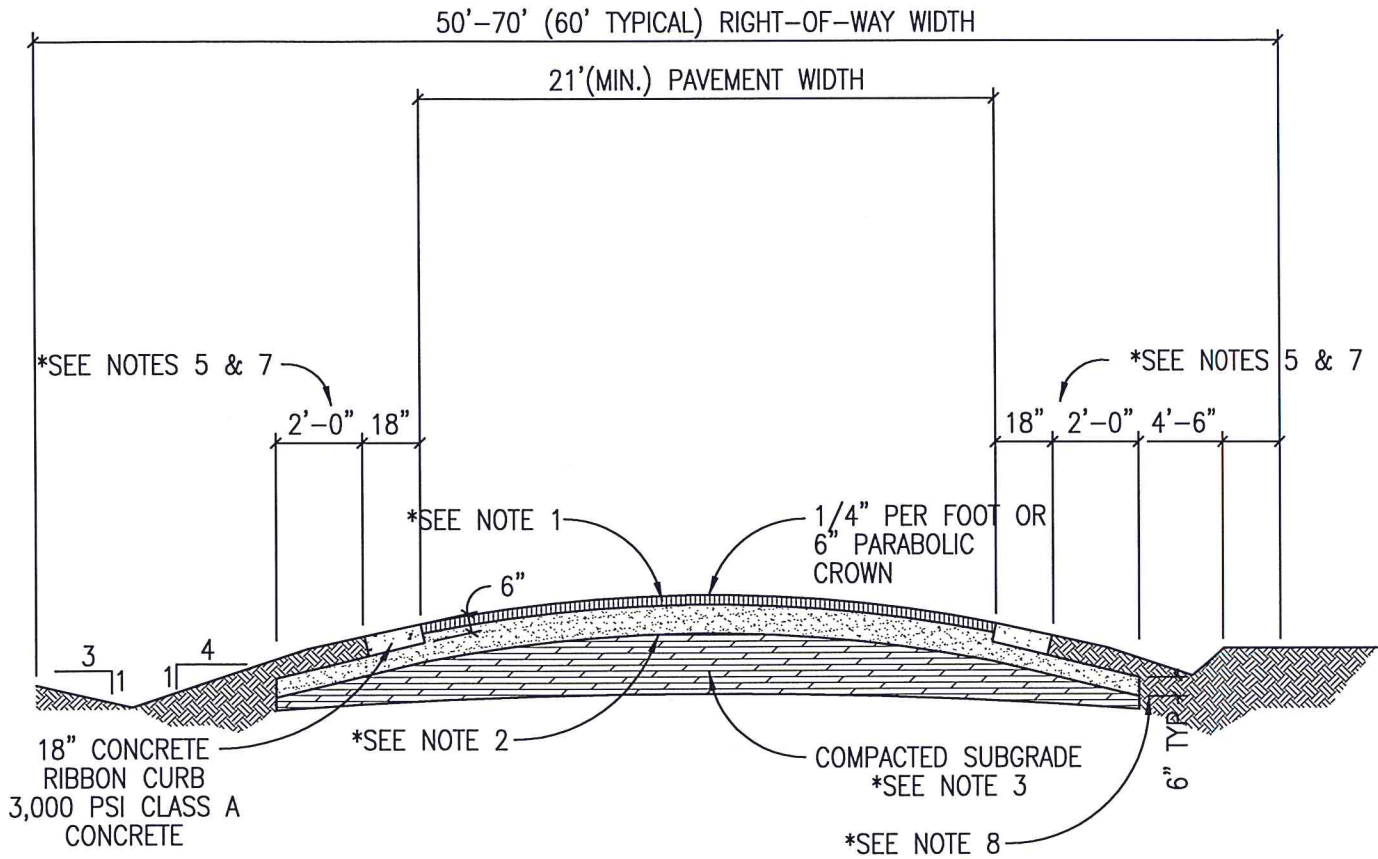
TYPICAL HALF CROSS SECTIONS  
FOR ARTERIAL STREETS

ISSUE DATE: 03-12-13

SCALE: N.T.S.

T-03

\* - SEE SHEET T-06 FOR NOTES.



CITY OF KILLEEN  
DEPARTMENT OF PUBLIC WORKS

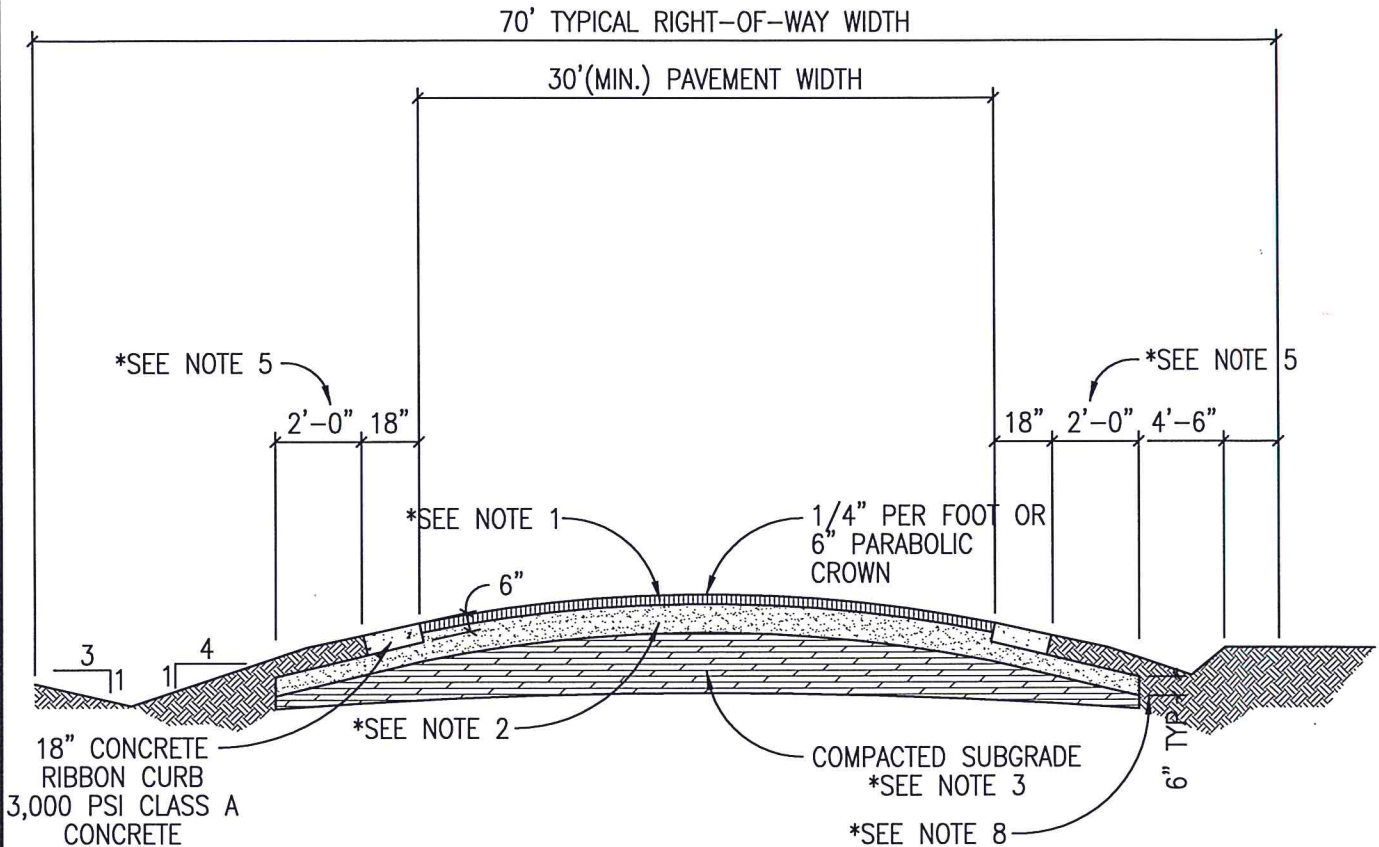
TYPICAL RURAL PAVING  
STANDARD

CONSTRUCTION STANDARDS AND DETAILS



T-04  
SCALE: N.T.S.  
ISSUE DATE: 08-01-13

\* - SEE SHEET T-06 FOR NOTES.



NOTE : ADDITIONAL RIGHT-OF-WAY WIDTH MAY BE REQUESTED BY THE CITY AS NECESSARY TO COMPLY WITH THE CITY OF KILLEEN THOROUGHFARE PLAN.

CITY OF KILLEEN  
DEPARTMENT OF PUBLIC WORKS

TYPICAL RURAL (COLLECTOR) PAVING  
STANDARD

CONSTRUCTION STANDARDS AND DETAILS



T-05  
SCALE: N.T.S.  
ISSUE DATE: 08-01-13

NOTES:

1. MIN 1.5" TYPE 'D' HOT MIX ASPHALTIC CONCRETE.
2. FLEXBASE, TYPOT ITEM 247, GRADE 2 OR BETTER, SHALL BE PLACED IN LIFTS NOT LESS THAN FOUR (4) INCHES AND NOT EXCEEDING EIGHT (8) INCHES COMPACTED DEPTH AND TO A MINIMUM 95% OF THE MAXIMUM DENSITY AS DETERMINED BY ASTM D1557 (METHOD D). THE BASE MATERIAL SHALL BE PLACED AT OPTIMUM MOISTURE ± 2% WHEN MATERIAL AT OPTIMUM MOISTURE ± 2% WHEN MATERIAL MEETING THE AFOREMENTIONED REQUIREMENTS IS UNAVAILABLE WITHIN A 50 MILE RADIUS OF THE CITY OF KILLEEN, (101 N. COLLEGE ST. KILLEEN, TX 76541) ALTERNATE MATERIALS MAY BE SUBMITTED TO THE DEPARTMENT OF PUBLIC WORKS FOR REVIEW.
3. LIME STABILIZATION OR GEOGRID MAY BE USED TO REDUCE BASE MATERIAL THICKNESS WHEN PRESCRIBED BY A QUALIFIED GEOTECHNICAL REPORT IN LIEU OF THE MINIMUM BASE MATERIAL THICKNESS LISTED BELOW:
4. COMBINED THICKNESS OF FLEXIBLE BASE COURSE, TREATED SUBGRADE OR SUBBASE SHALL BE AS REQUIRED TO SUPPORT TRAFFIC LOADS AND VOLUME ON SUBGRADE.
5. SUBGRADE/BASE SHALL BE EXTENDED 2'-0" BEHIND CURB FOR ALL STREET SECTIONS.
6. SUBGRADE SHALL BE AT OPTIMUM MOISTURE OR ABOVE PRIOR TO PLACING BASE MATERIAL.
7. NO BASE MATERIAL REQUIRED UNDER CURB FOR LOCAL AND RURAL LOCAL STREETS WITH GROUP I, II, OR III SUBGRADE CLASSIFICATIONS.
8. WHERE MINIMUM PAVING SECTION THICKNESS IS LESS THAN 12" THE THICKNESS OF BASE MATERIAL UNDER THE CURB MAY BE LESS THAN 6".
9. FOR LOCAL, RURAL, LOCAL AND MARGINAL ACCESS STREETS, THE MINIMUM SECTION THICKNESS MAY BE REDUCED FOR SUBGRADE GROUPS IV-VII TO THE SECTION THICKNESS FOR GROUPS I OR II BY REMOVING EXISTING MATERIAL AND PLACING AND COMPACTING 12" OF GROUP I OR II SELECT MATERIAL.

**SUBGRADE CLASSIFICATION GROUPS**

GROUP NO.	LIQUID LIMIT	PLASTICITY INDEX	TYPICAL MATERIAL DESCRIPTION
I	<35	5-15	limestone, weathered limestone, or severely weathered limestone
II	30-40	10-25	sandy clays, silty clays, or severely weathered limestone
III	40-50	15-30	sandy clays, silty clays, or severely weathered limestone
IV	50-60	20-35	clays or silty clay
V	60-70	25-40	clay
VI	70-80	35-50	clay
VII	<80	40-60	clay

PAVING SECTIONS	MIN. H/MAC TYPE 'D'	GROUP I	GROUP II	GROUP III	GROUP IV	GROUP V	GROUP VI	GROUP VII
LOCAL STREET 7, 9	1.5"	7.5" <sup>7</sup>	8.5" <sup>7</sup>	10" <sup>7</sup>	12.0"	14.0"	16.0"	18.0"
COLLECTOR	2.0"	8.0" <sup>8</sup>	9.0" <sup>8</sup>	11.0" <sup>8</sup>	14.0"	16.0"	18.0"	22.0"
MARGINAL ACCESS STREET 9	2.0"	8.0" <sup>8</sup>	10.0" <sup>8</sup>	12.5"	15.0"	17.5"	20.0"	24.0"
ARTERIAL	2.5"	8.5" <sup>8</sup>	11.0" <sup>8</sup>	13.5"	16.5"	19.0"	21.5"	26.0"
RURAL LOCAL 7, 9	1.5"	7.5" <sup>7</sup>	8.5" <sup>7</sup>	9.5" <sup>7</sup>	12.0"	14.0"	16.0"	18.0"
RURAL COLLECTOR	2.0"	8.0" <sup>8</sup>	9.0" <sup>8</sup>	11.0" <sup>8</sup>	14.0"	16.0"	18.0"	22.0"

**MIN. SECTION THICKNESS BY SOIL GROUP CLASSIFICATION**

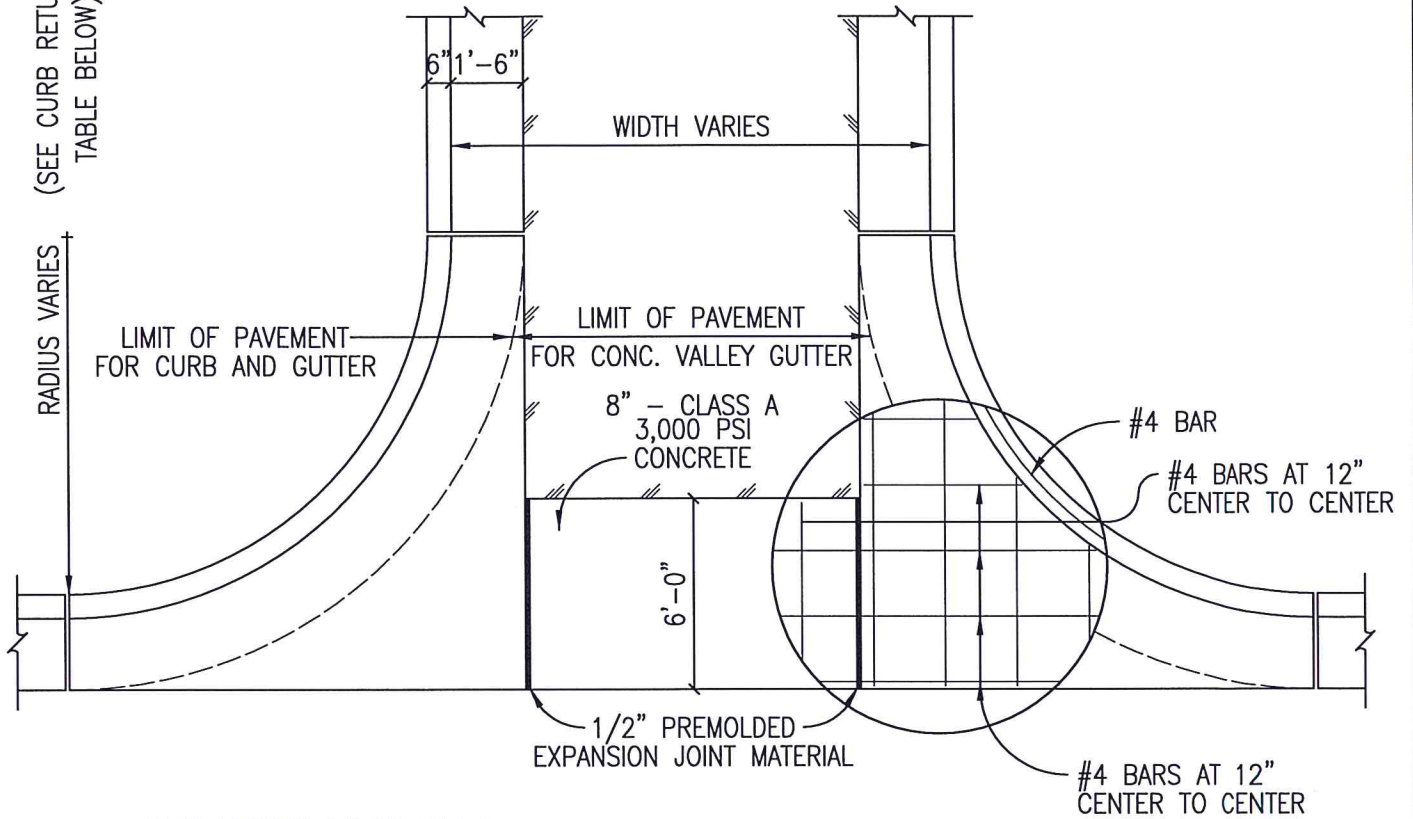


**CITY OF KILLEEN**  
 DEPARTMENT OF PUBLIC WORKS  
 CONSTRUCTION STANDARDS AND DETAILS

**CROSS SECTIONS**  
 NOTES

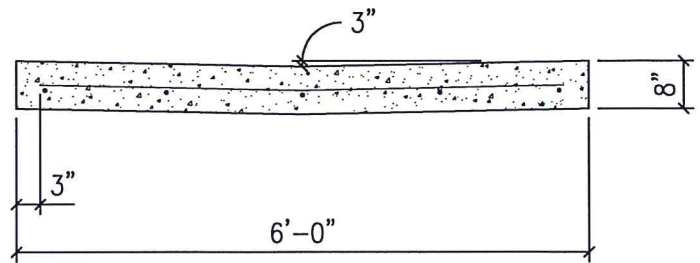
ISSUE DATE: 03-12-13  
 SCALE: N.T.S.

(SEE CURB RETURN TABLE BELOW)



CURB RETURN RADIUS TABLE

<u>CATEGORY</u>	<u>RADIUS (FT)</u>
ARTERIAL	25
COLLECTOR	25
LOCAL STREET	15



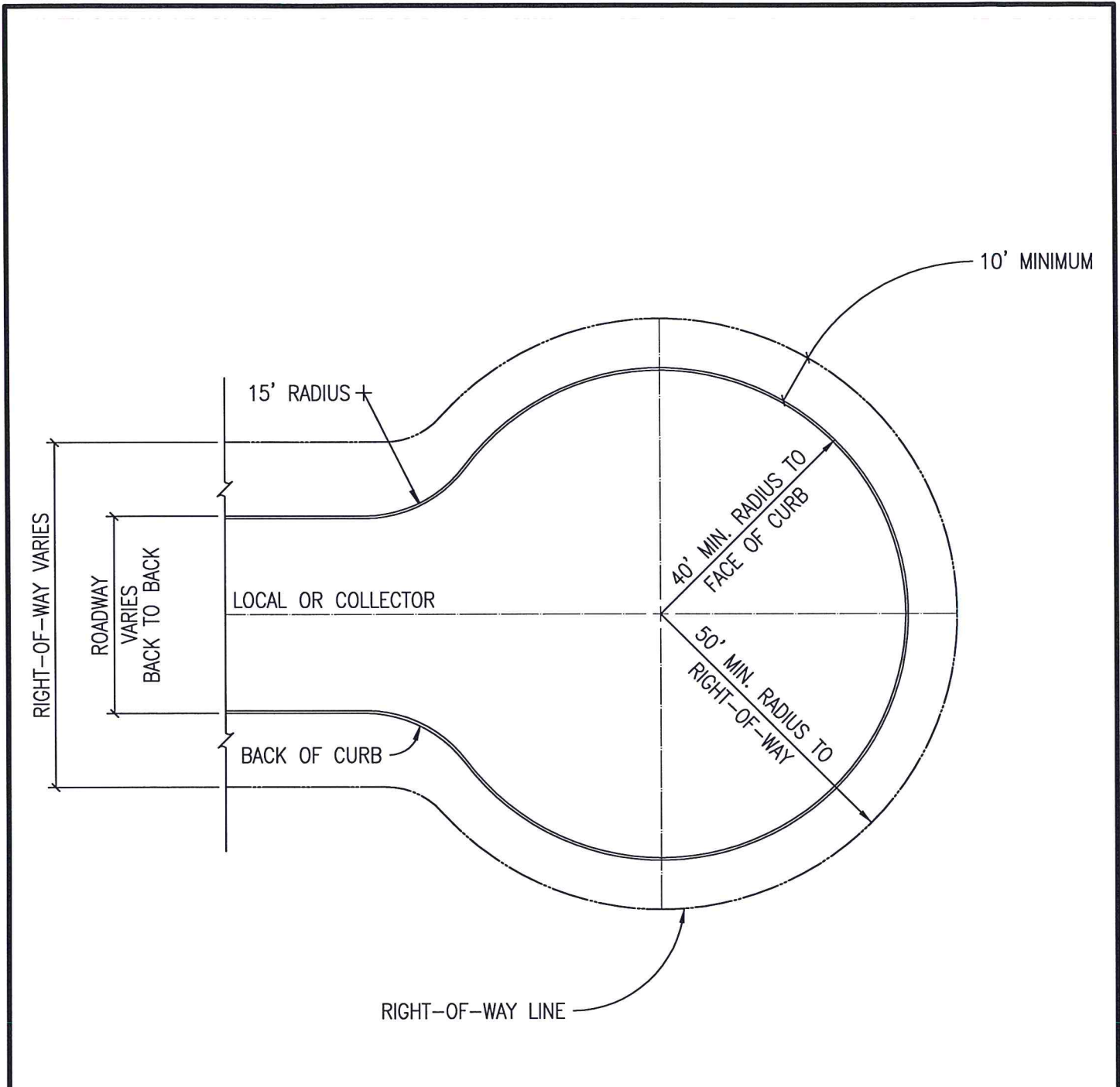
**CITY OF KILLEEN**  
DEPARTMENT OF PUBLIC WORKS



**CURB RETURN AND CONCRETE VALLEY GUTTER STANDARD**

CONSTRUCTION STANDARDS AND DETAILS

T-07  
SCALE: N.T.S.  
ISSUE DATE: 08-01-13



NOTE:  
 1. CUL-DE-SAC SHALL BE CONSTRUCTED WITH A 7-INCH CROWN, GIVING AN APPROXIMATE 1.5% CROSS SLOPE.

**CITY OF KILLEEN**  
 DEPARTMENT OF PUBLIC WORKS

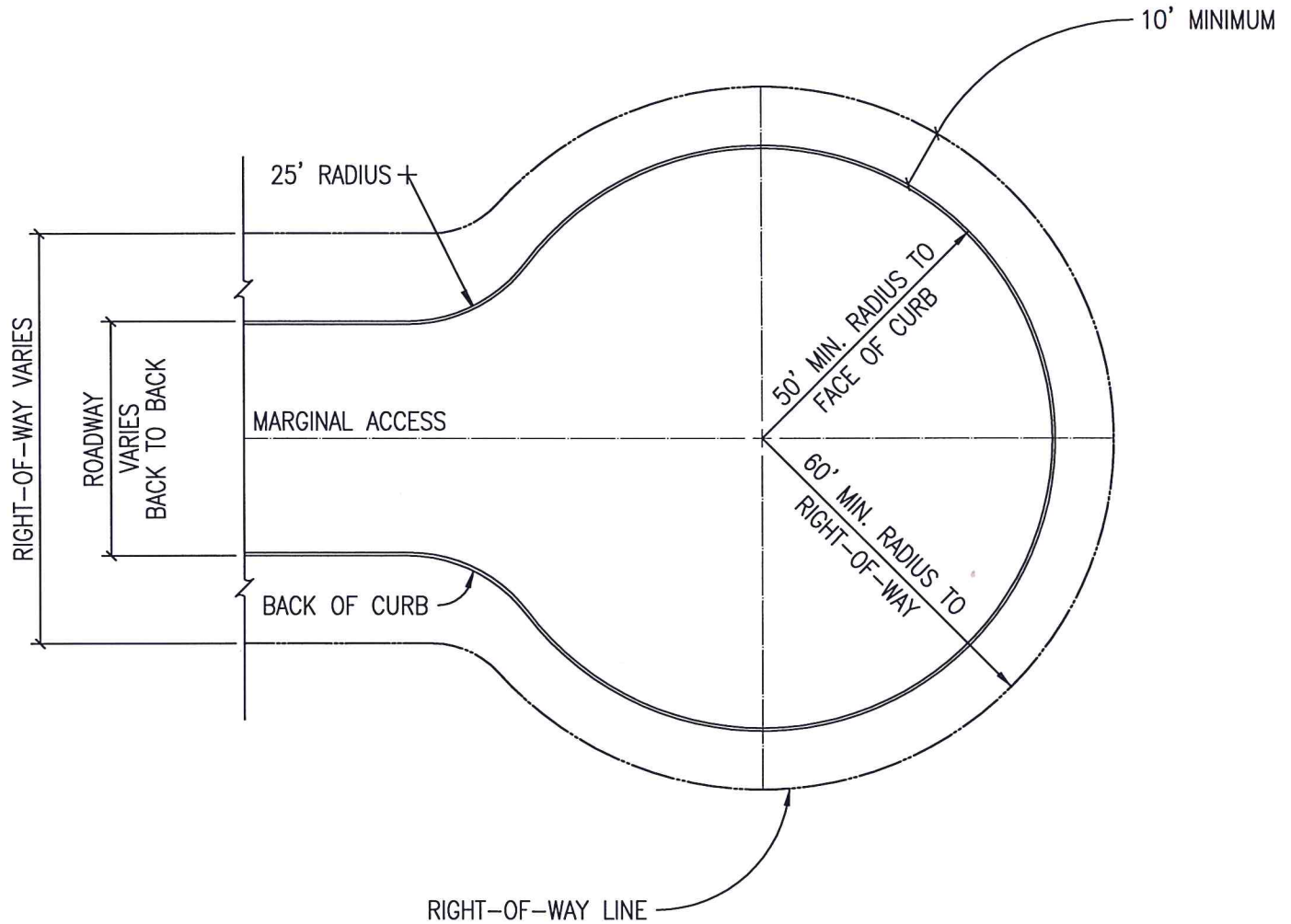
**LOCAL/MINOR COLLECTOR**  
**CUL-DE-SAC PLAN**

CONSTRUCTION STANDARDS AND DETAILS



T-08  
 SCALE: N.T.S.  
 ISSUE DATE: 08-01-13





NOTE:

1. CUL-DE-SAC SHALL BE CONSTRUCTED WITH A MIN. 9-INCH CROWN, GIVING A 1.5% CROSS SLOPE.

**CITY OF KILLEEN**  
 DEPARTMENT OF PUBLIC WORKS

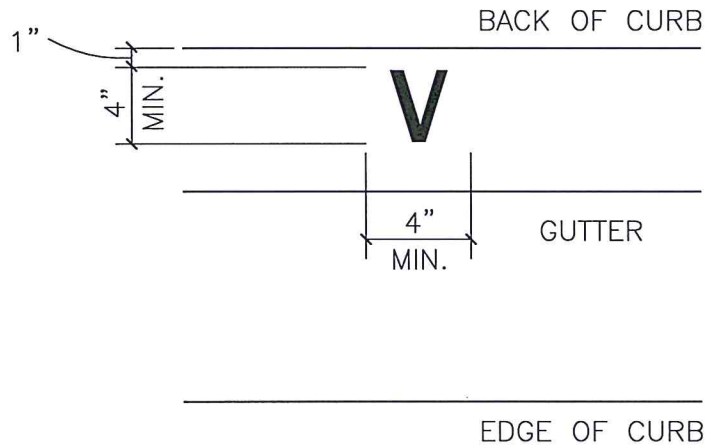
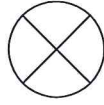
**MARGINAL ACCESS**  
**CUL-DE-SAC PLAN**

CONSTRUCTION STANDARDS AND DETAILS



T-09  
 SCALE: N.T.S.  
 ISSUE DATE: 08-01-13

(EX. WATER VALVE)



PLAN VIEW  
(TYPICAL)

NOTES:

1. ALL WATER SERVICE, WASTE WATER SERVICE AND VALVE LOCATIONS SHALL BE APPROXIMATELY MARKED AS FOLLOWS:

WATER SERVICE	"W"	FACE OF CURB
WASTE WATER SERVICE	"S"	FACE OF CURB
VALVE	"V"	FACE OF CURB

2. LETTERS SHALL HAVE A 1/2" MAX. STROKE WIDTH.
3. LETTER SHALL BE ETCHED, NOT PAINTED.

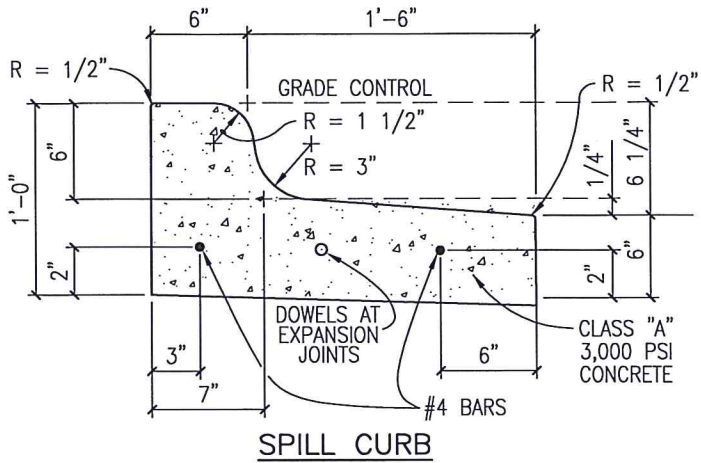
**CITY OF KILLEEN**  
DEPARTMENT OF PUBLIC WORKS

**CURB STAMP  
STANDARD**

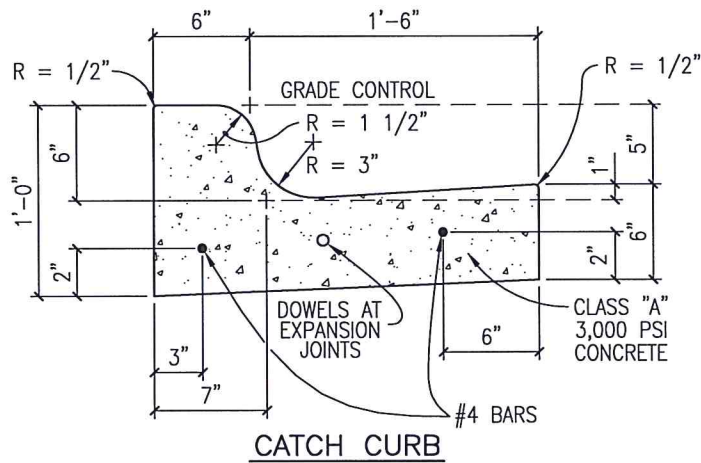
CONSTRUCTION STANDARDS AND DETAILS



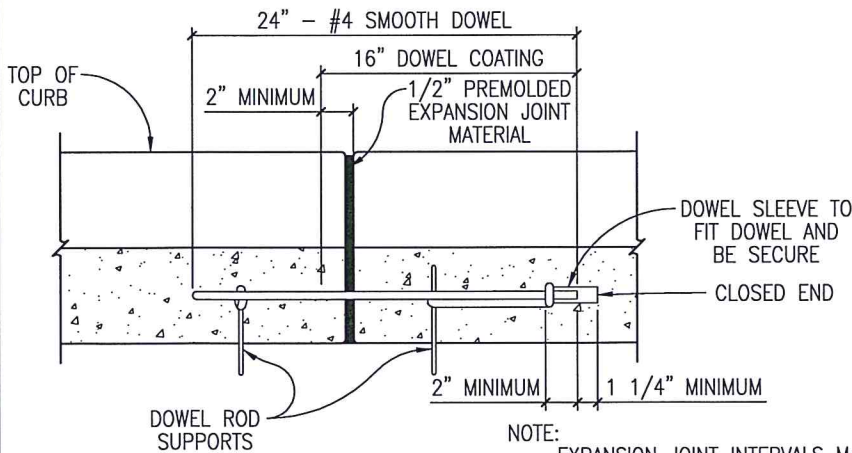
T-10  
SCALE: N.T.S.  
ISSUE DATE: 08-01-13



**SPILL CURB**



**CATCH CURB**



**CURB DOWEL DETAIL**

NOTE: EXPANSION JOINT INTERVALS MAX. 40' AND AT CURB INLETS, DRIVE APPROACHES, POINTS OF CURVATURE, AND SIDEWALK EXPANSION JOINTS.

**NOTES:**

1. ALL WORK AND MATERIAL SHALL CONFORM TO ASTM A615, A615M, C309, AND D1752. BROOM FINISH EXPOSED SURFACE.
2. CONTRACTION JOINT SPACING 10' MAX.
3. EXPANSION JOINT MATERIAL AS PER STD. ASTM D-1751, WITH 40' MAX. SPACING.
4. 1/2" EXPANSION JOINT MATERIAL SHALL BE PROVIDED WHERE CURB IS ADJACENT TO SIDEWALK DRIVE APPROACHES, RIP-RAP, AND RADII.
5. TRANSITIONS BETWEEN CURBS OR DIFFERING CROSS SECTIONS SHALL OCCUR OVER A 20 FOOT LENGTH AS APPROVED BY THE ENGINEER OR THE CITY OF KILLEEN.
6. ALL CONCRETE SHALL BE CLASS A, 3000 PSI.
7. ALL SURFACES THAT ARE CHIPPED OR OTHERWISE DAMAGED DURING CONSTRUCTION SHALL BE REPAIRED.
8. ONE OF THE FOLLOWING SCHEMES OF REINFORCEMENT SHALL BE REQUIRED. THE MANNER OF PLACEMENT AND LOCATION SHALL BE TO THE SATISFACTION OF THE ENGINEER OR THE CITY OF KILLEEN.
  - A. MANUALLY FORMED CURB AND GUTTER SHALL HAVE LONGITUDINAL REINFORCING BARS AS FOLLOWS: TWO #4 BARS SHALL BE PLACED 2" FROM BOTTOM OF GUTTER.
  - B. STEEL REINFORCEMENT IS OPTIONAL FOR MACHINE LAID CURB.
9. REINFORCING BARS SHALL BE LAPPED A MINIMUM OF 15 INCH. TRANSVERSE SLOPE OF GUTTER SHALL CONFORM TO ADA REQUIREMENTS AT ALL PEDESTRIAN CROSSINGS.

**CITY OF KILLEEN  
DEPARTMENT OF PUBLIC WORKS**

**CURB AND GUTTER  
STANDARD**

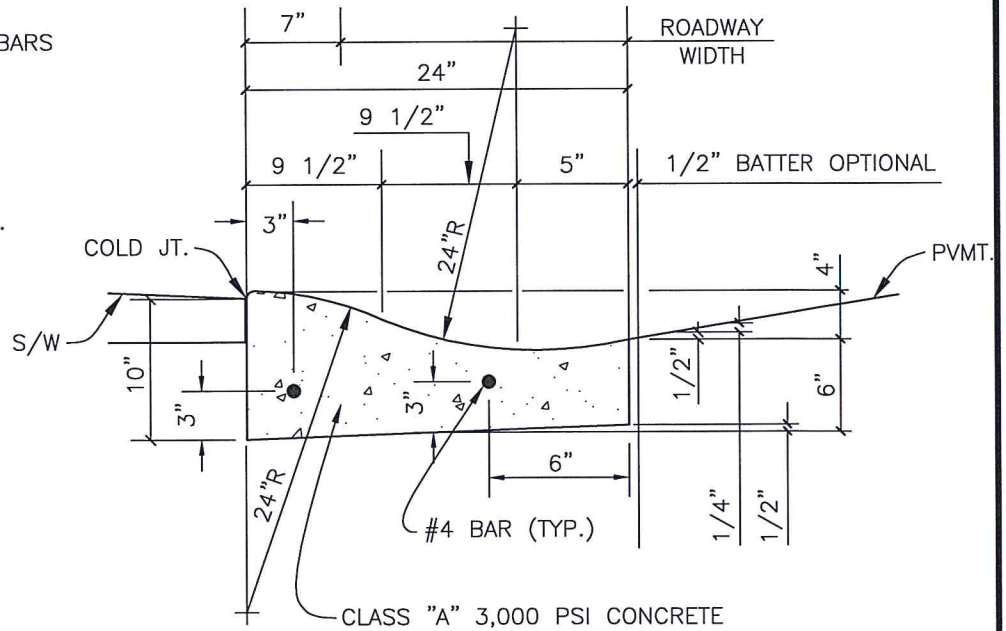
**CONSTRUCTION STANDARDS AND DETAILS**



T-11  
SCALE: N.T.S.  
ISSUE DATE: 08-01-13

**NOTES:**

1. ALL WORK AND MATERIAL SHALL CONFORM TO ASTM A615, A615M, C309, AND D1752. BROOM FINISH EXPOSED SURFACE.
2. CONTRACTION JOINT SPACING 10' MAX.
3. EXPANSION JOINT MATERIAL AS PER STD. ASTM D-1752, WITH 40' MAX. SPACING.
4. 1/2" EXPANSION JOINT MATERIAL SHALL BE PROVIDED WHERE CURB IS ADJACENT TO SIDEWALK DRIVE APPROACHES, RIP-RAP, AND RADII.
5. TRANSITIONS BETWEEN CURBS OR DIFFERING CROSS SECTIONS SHALL OCCUR OVER A 20 FOOT LENGTH AS APPROVED BY THE ENGINEER OR THE CITY OF KILLEEN.
6. ALL CONCRETE SHALL BE CLASS A, 3000 PSI.
7. ALL SURFACES THAT ARE CHIPPED OR OTHERWISE DAMAGED DURING CONSTRUCTION SHALL BE REPAIRED.
8. ONE OF THE FOLLOWING SCHEMES OF REINFORCEMENT SHALL BE REQUIRED. THE MANNER OF PLACEMENT AND LOCATION SHALL BE TO THE SATISFACTION OF THE ENGINEER OR THE CITY OF KILLEEN.
  - A. CURB AND GUTTER (REINFORCED) SHALL HAVE LONGITUDINAL REINFORCING BARS AS FOLLOWS: TWO #4 BARS SHALL BE PLACED 2" FROM BOTTOM OF GUTTER.
  - B. STEEL REINFORCEMENT IS OPTIONAL FOR MACHINE LAID CURB.
9. REINFORCING BARS SHALL BE LAPPED A MINIMUM OF 15 INCH.
10. CURB DOWELS SHALL BE AS SHOWN ON T-11.



**MOUNTABLE CURB**

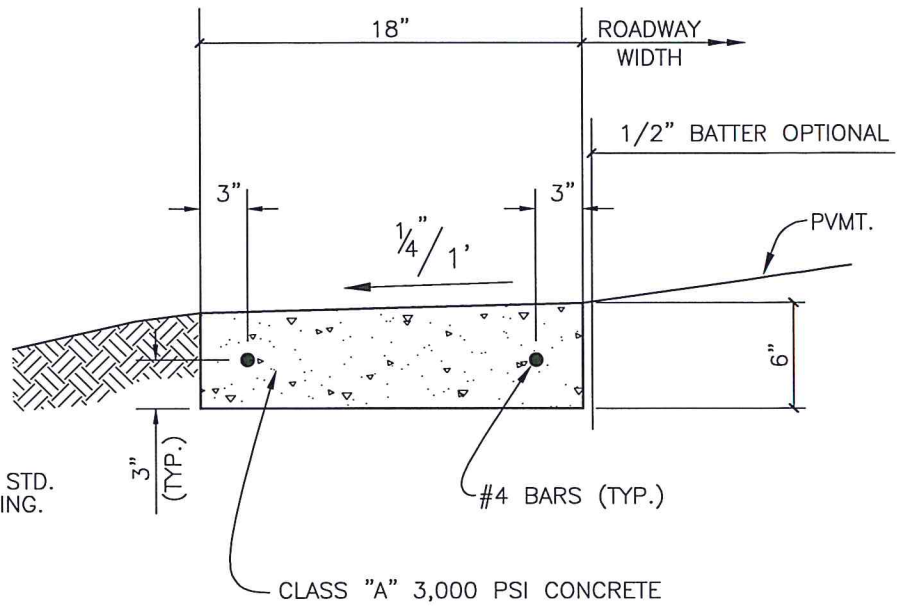
**CITY OF KILLEEN  
DEPARTMENT OF PUBLIC WORKS**

**MOUNTABLE CURB AND GUTTER  
STANDARDS**

**CONSTRUCTION STANDARDS AND DETAILS**



T-12  
SCALE: N.T.S.  
ISSUE DATE: 08-01-13



**NOTES:**

1. ALL WORK AND MATERIAL SHALL CONFORM TO ASTM A615, A615M, C309, AND D1752. BROOM FINISH EXPOSED SURFACE.
2. CONTRACTION JOINT SPACING 10' MAX.
3. EXPANSION JOINT MATERIAL AS PER STD. ASTM D-1752, WITH 40' MAX. SPACING.
4. 1/2" EXPANSION JOINT MATERIAL SHALL BE PROVIDED WHERE CURB IS ADJACENT TO SIDEWALK DRIVE APPROACHES, RIP-RAP, AND RADII.
5. TRANSITIONS BETWEEN CURBS OR DIFFERING CROSS SECTIONS SHALL OCCUR OVER A 20 FOOT LENGTH AS APPROVED BY THE ENGINEER OR THE CITY OF KILLEEN.
6. ALL CONCRETE SHALL BE CLASS A, 3000 PSI.
7. ALL SURFACES THAT ARE CHIPPED OR OTHERWISE DAMAGED DURING CONSTRUCTION SHALL BE REPAIRED.
8. ONE OF THE FOLLOWING SCHEMES OF REINFORCEMENT SHALL BE REQUIRED. THE MANNER OF PLACEMENT AND LOCATION SHALL BE TO THE SATISFACTION OF THE ENGINEER OR THE CITY OF KILLEEN.
  - A. CURB AND GUTTER (REINFORCED) SHALL HAVE LONGITUDINAL REINFORCING BARS AS FOLLOWS: TWO #4 BARS SHALL BE PLACED 2" FROM BOTTOM OF GUTTER.
  - B. STEEL REINFORCEMENT IS OPTIONAL FOR MACHINE LAID CURB.
9. REINFORCING BARS SHALL BE LAPPED A MINIMUM OF 15 INCH.
10. CURB DOWELS SHALL BE AS SHOWN ON T-11.

**RIBBON CURB**

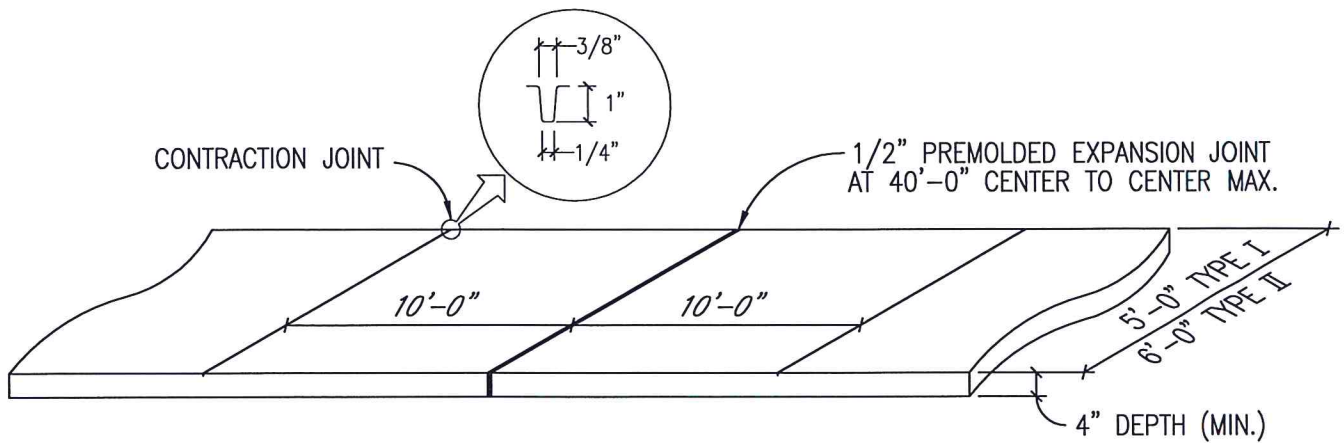
**CITY OF KILLEEN**  
**DEPARTMENT OF PUBLIC WORKS**

**RIBBON CURB**  
**STANDARD**

**CONSTRUCTION STANDARDS AND DETAILS**

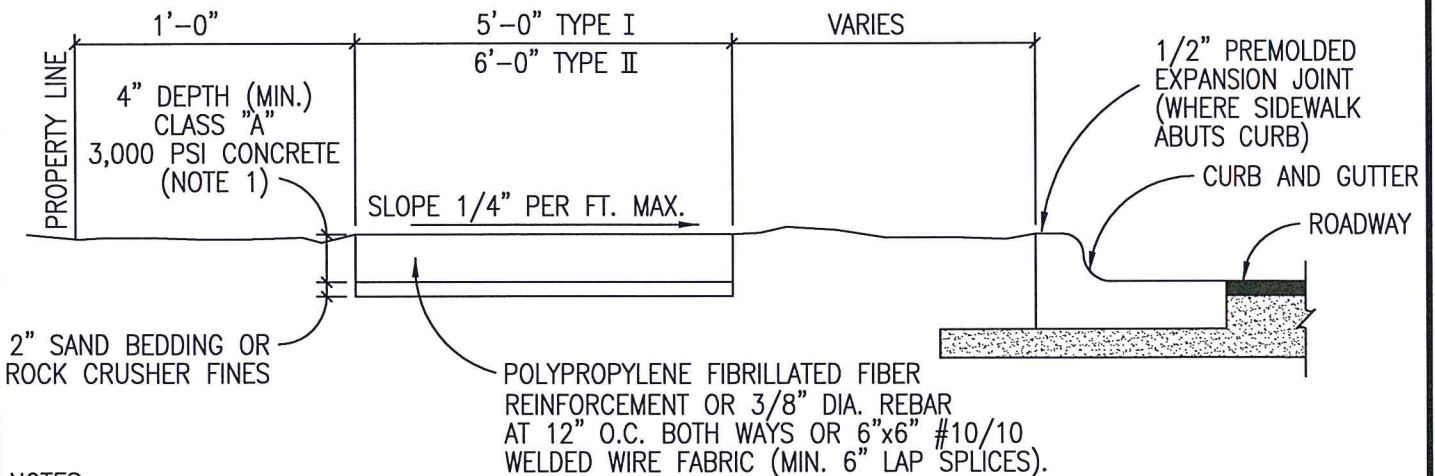


T-13  
 SCALE: N.T.S.  
 ISSUE DATE: 08-01-13



TYPE I - FOR USE WHEN SIDEWALK IS PLACED 3' OR MORE FROM THE BACK OF CURB, OR ON LOCAL STREET SECTIONS. LOCATION OF SIDEWALK TO BE APPROVED BY DIRECTOR OF PUBLIC WORKS OR HIS DESIGNATED REPRESENTATIVE.

TYPE II - FOR USE WHEN SIDEWALK IS PLACED ADJACENT TO THE BACK OF CURB ON COLLECTOR OR ARTERIAL STREET SECTIONS.



NOTES:

1. FOR ROLLER STAMPED SIDEWALK: MATCH TO SPECIFICATIONS.
2. STANDARD LOCATION OF SIDEWALK IS AS SHOWN ON DETAILS T-01, T-02, AND T-03. SPECIAL DESIGNS MAY BE APPROVED BY THE CITY ENGINEER, PRIOR TO FINAL DESIGN.
3. SIDEWALK SHALL CONFORM TO CURRENT AMERICANS WITH DISABILITIES ACT STANDARDS.
4. FOR PROJECTS IN WHICH PEDESTRIAN COMPONENTS (SIDEWALKS, HANDICAP RAMPS, ETC.) TOTAL CONSTRUCTION COST \$50,000 OR MORE, CONSTRUCTION PLANS SHALL BE SUBMITTED AND APPROVED BY THE TEXAS DEPARTMENT OF LICENSING AND REGULATION BY THE ENGINEER OF RECORD.
5. ANY VARIANCE IN TEXTURE, GRADE OR ALIGNMENT MUST BE APPROVED BY THE TEXAS DEPARTMENT OF LICENSING AND REGULATION.
6. ALL CONCRETE SURFACES SHALL RECEIVE A LIGHT BROOM FINISH UNLESS NOTED OTHERWISE IN THE PLANS.

CITY OF KILLEEN  
DEPARTMENT OF PUBLIC WORKS

SIDEWALK SECTION  
STANDARD

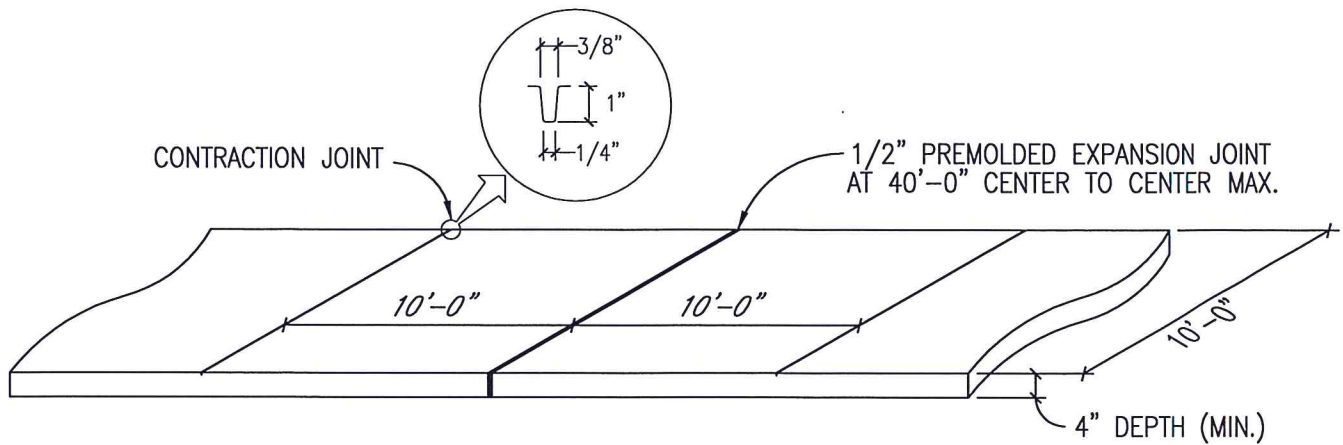
CONSTRUCTION STANDARDS AND DETAILS



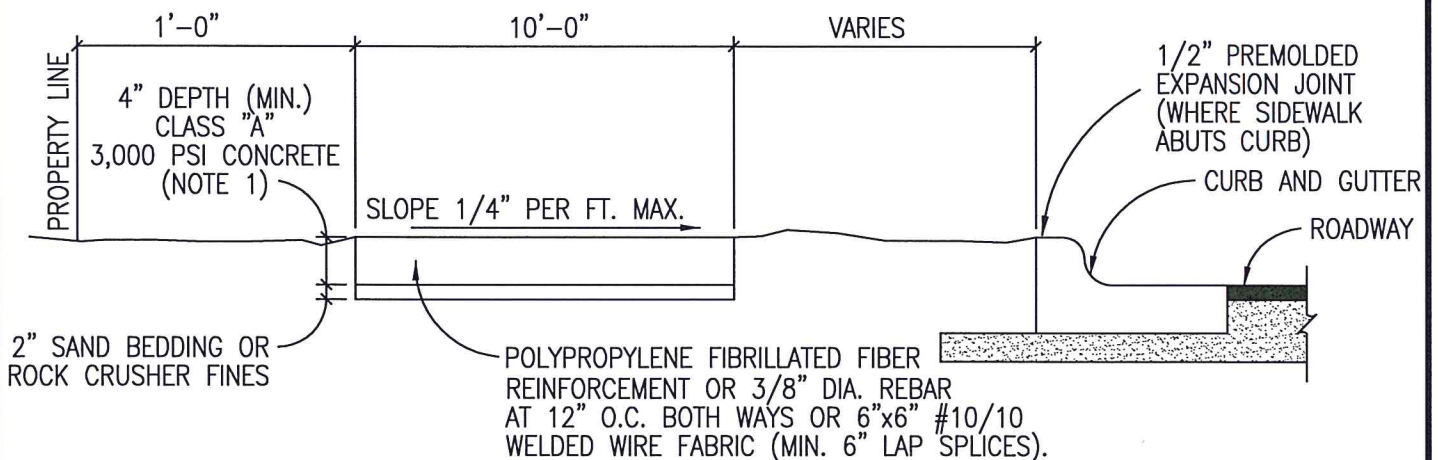
T-14

SCALE: N.T.S.

ISSUE DATE: 08-01-13



THIS DETAIL APPLIES TO HIKE AND BIKE TRAILS IDENTIFIED ON THE CITY OF KILLEEN TRANSPORTATION/THOROUGHFARE PLAN. NATURE TRAILS, HIKING PATHS, ETC. ARE NOT SUBJECT TO THIS DETAIL, BUT SHALL INSTEAD BE DESIGNED AND CONSTRUCTED PER AASHTO TRAIL GUIDELINES AND SHALL BE APPROVED BY THE DIRECTOR OF PUBLIC WORKS OR HIS DESIGNATED REPRESENTATIVE,



NOTES:

1. FOR ROLLER STAMPED HIKE AND BIKE: MATCH TO SPECIFICATIONS.
2. STANDARD LOCATION OF HIKE AND BIKE IS AS SHOWN ON DETAILS T-01, T-02, AND T-03. SPECIAL DESIGNS MAY BE APPROVED BY THE CITY ENGINEER, PRIOR TO FINAL DESIGN.
3. HIKE AND BIKE SHALL CONFORM TO CURRENT AMERICANS WITH DISABILITIES ACT STANDARDS.
4. FOR PROJECTS IN WHICH PEDESTRIAN COMPONENTS (SIDEWALKS, HANDICAP RAMPS, ETC.) TOTAL CONSTRUCTION COST \$50,000 OR MORE, CONSTRUCTION PLANS SHALL BE SUBMITTED AND APPROVED BY THE TEXAS DEPARTMENT OF LICENSING AND REGULATION BY THE ENGINEER OF RECORD.
5. ANY VARIANCE IN TEXTURE, GRADE OR ALIGNMENT MUST BE APPROVED BY THE TEXAS DEPARTMENT OF LICENSING AND REGULATION.
6. ALL CONCRETE SURFACES SHALL RECEIVE A LIGHT BROOM FINISH UNLESS NOTED OTHERWISE IN THE PLANS.

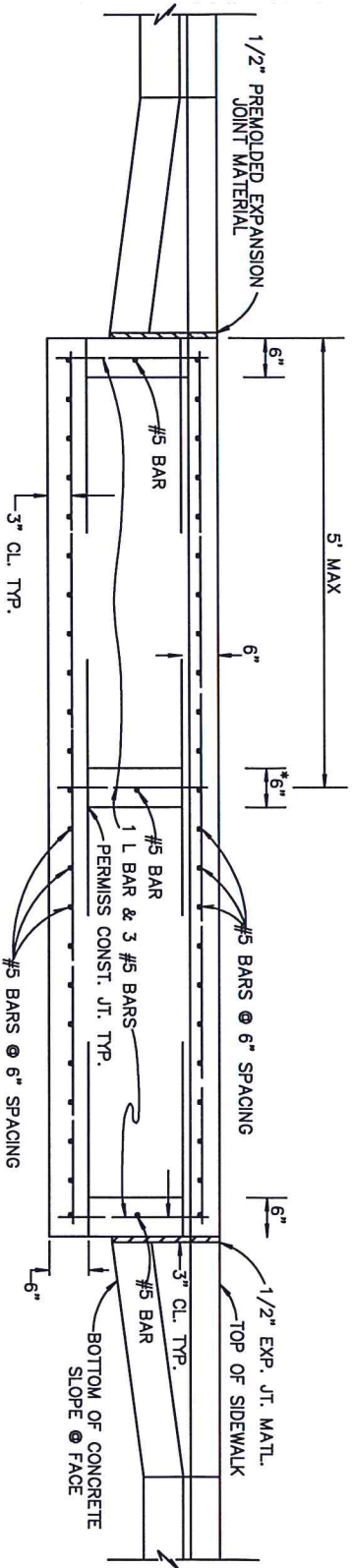
**CITY OF KILLEEN**  
DEPARTMENT OF PUBLIC WORKS

**HIKE AND BIKE**  
**SECTION DETAIL**

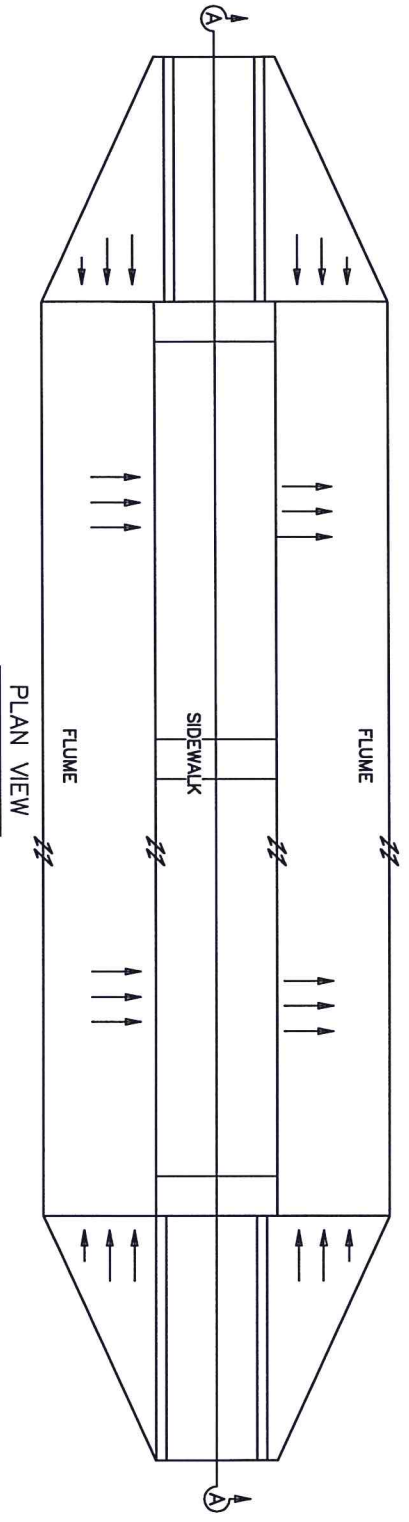
CONSTRUCTION STANDARDS AND DETAILS



T-15  
SCALE: N.T.S.  
ISSUE DATE: 08-01-13



SECTION A-A



PLAN VIEW

NOTE:

1. CONCRETE SHALL BE CLASS "A" 3,000 PSI COMPRESSIVE STRENGTH AT 28 DAYS.
2. REINFORCEMENT STEEL SHALL CONFORM TO ASTM A 615, GRADE 60.
3. ALL CONCRETE SURFACES SHALL RECEIVE A LIGHT BROOM FINISH UNLESS OTHERWISE SPECIFIED IN THE PLANS.

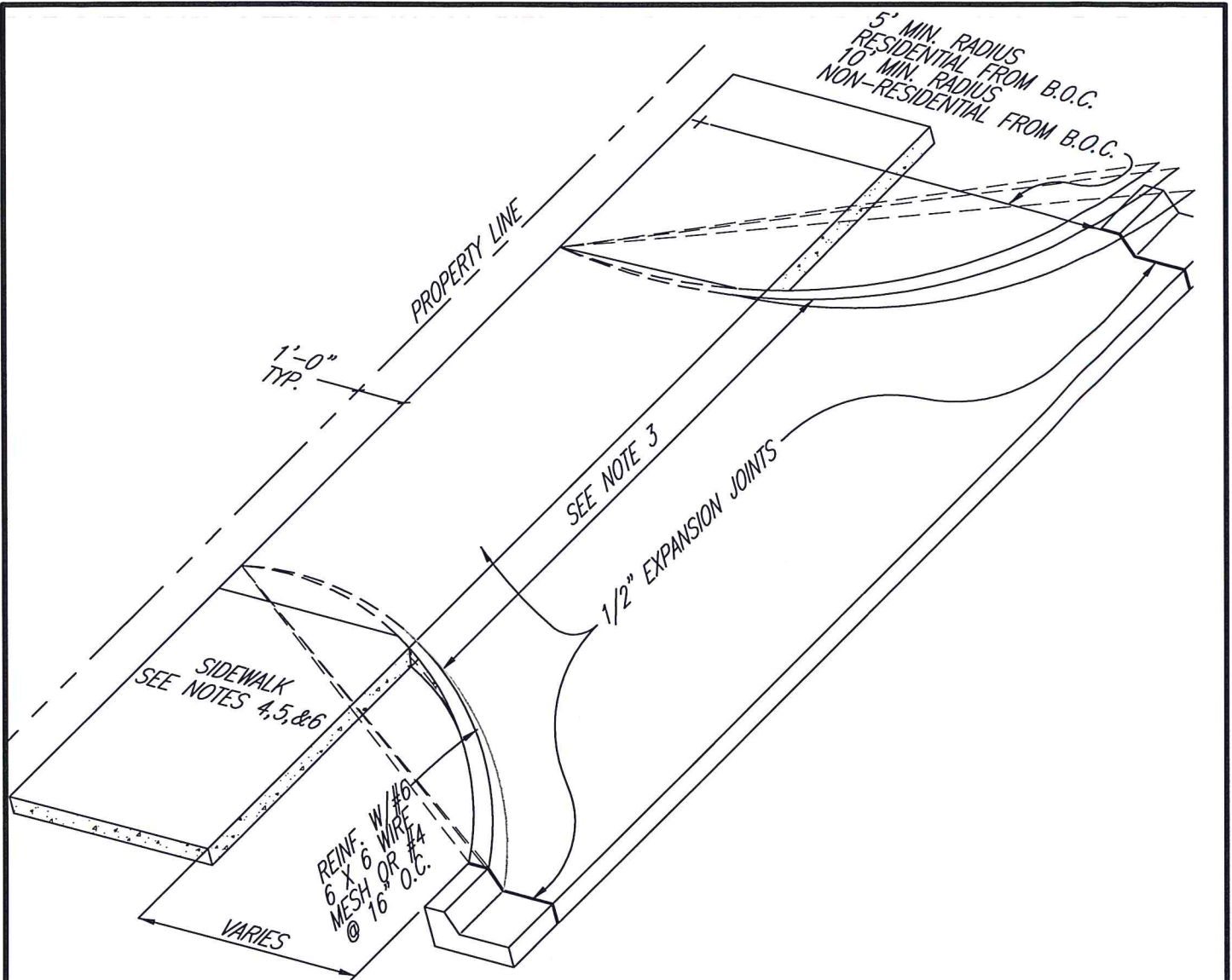


**CITY OF KILLBUCK**  
 DEPARTMENT OF PUBLIC WORKS  
 CONSTRUCTION STANDARDS AND DETAILS

**FRESPAN SIDEWALK  
 SECTIONS**

ISSUE DATE: 03-12-13  
 SCALE: N.T.S.





NOTES:

1. DRIVEWAY PERMITS TO BE ACQUIRED FROM CITY HALL.
2. SPACING OF DRIVEWAY CUTS SHALL BE AS REQUIRED BY THE CITY ENGINEER.
3. LINEAR "RADIUS" AT CORNERS, PERMITTED FOR "SINGLE FAMILY" OR "TWO FAMILY" RESIDENTIAL DRIVEWAY APPROACH.
4. SIDEWALK LOCATION TO BE APPROVED BY CITY ENGINEER PRIOR TO FINAL DESIGN. (SEE DETAIL T-36 FOR SIDEWALK TREATMENT AT DRIVEWAYS). SIDEWALK WIDTH SHALL BE DETERMINED BY BUILDING PERMIT.
5. SIDEWALK TO BE CONSTRUCTED PER DETAILS T-14 OR T-15, AS APPLICABLE.
6. SIDEWALK WIDTH ACROSS DRIVEWAY APPROACH MAY BE REDUCED TO 4', IF NECESSARY. TRANSITION FROM 5' TO 4' SIDEWALK WIDTH OVER A LENGTH OF 10' ON EITHER SIDE OF DRIVEWAY APPROACH.

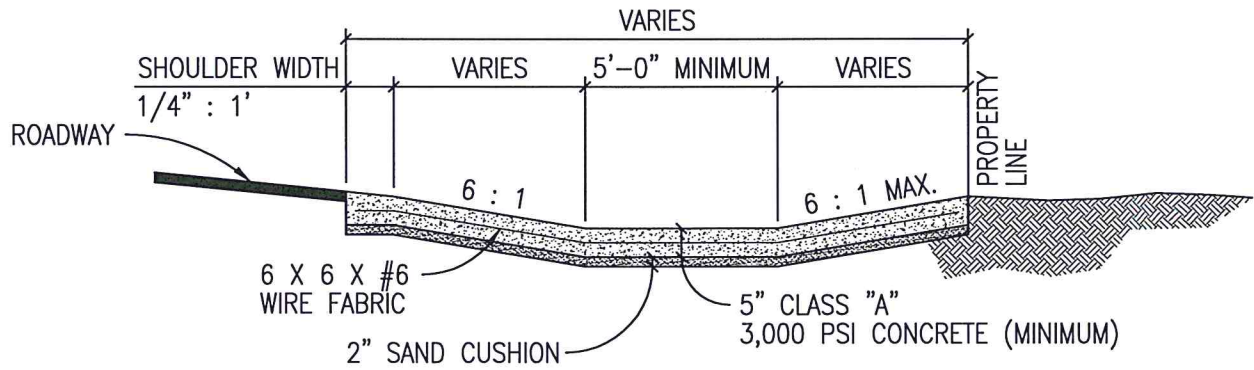
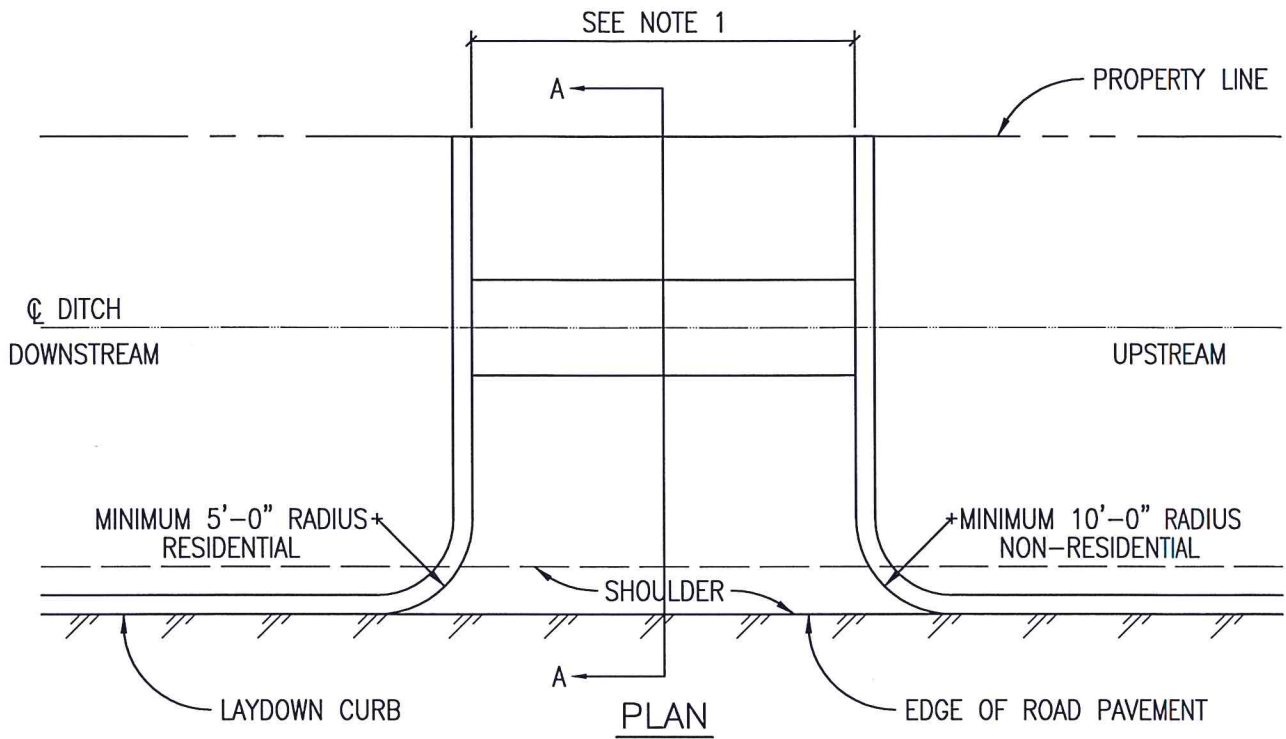
**CITY OF KILLEEN**  
DEPARTMENT OF PUBLIC WORKS

**CONCRETE DRIVEWAY APPROACH**  
**TYPICAL**

CONSTRUCTION STANDARDS AND DETAILS



T-17  
SCALE: N.T.S.  
ISSUE DATE: 08-01-13



NOTES:

1. MINIMUM CHANNEL SIDE SLOPE SHALL BE 4:1.

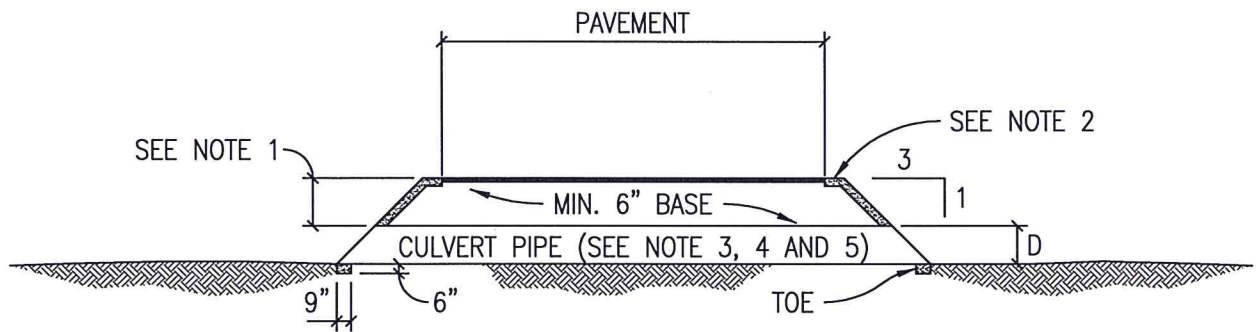
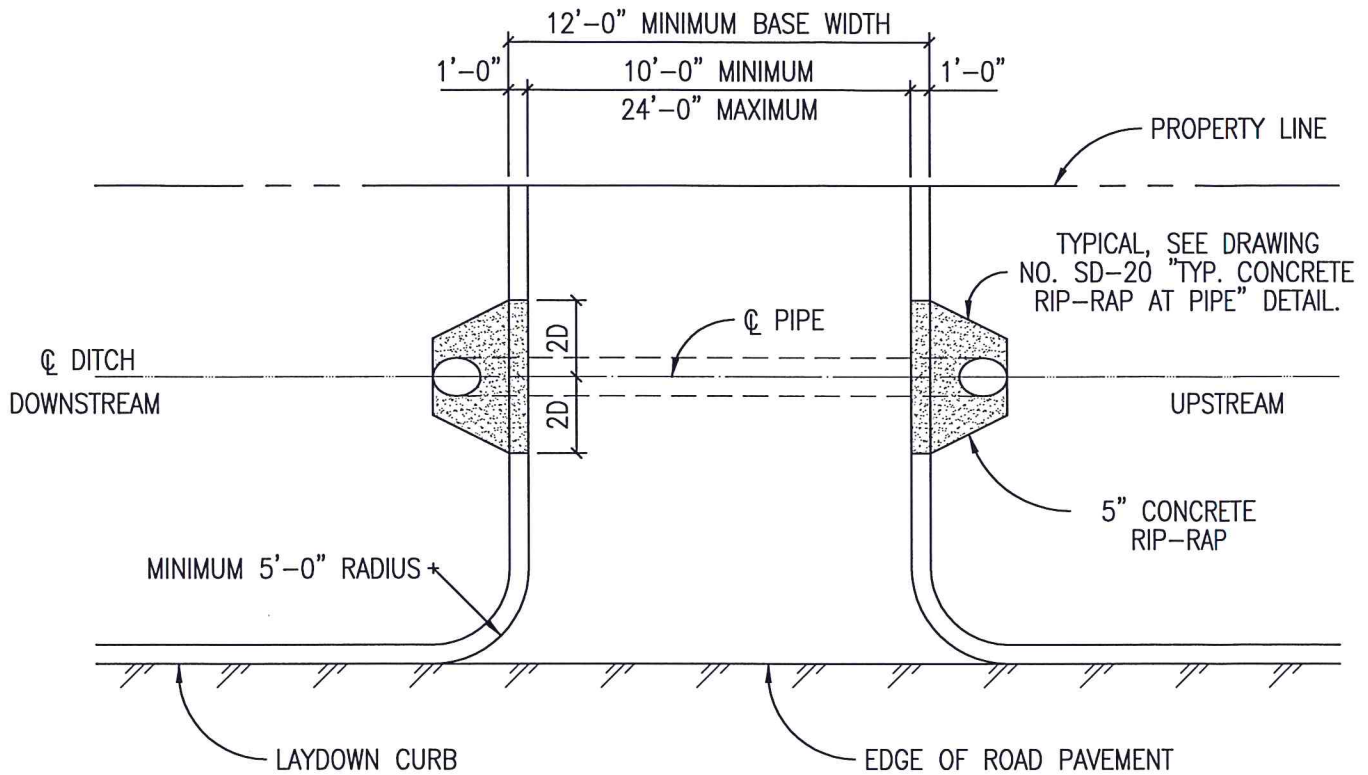
**CITY OF KILLEEN**  
DEPARTMENT OF PUBLIC WORKS

**CONCRETE DIP**  
**DRIVEWAY APPROACH**

CONSTRUCTION STANDARDS AND DETAILS



T-18  
SCALE: N.T.S.  
ISSUE DATE: 08-01-13



NOTES:

1. MINIMUM COVER OVER CULVERT PIPE SHALL BE 6" (SEE NOTE 5).
2. 5" CONCRETE RIP-RAP SHALL BE INSTALLED.
3. CULVERT PIPE TO BE MINIMUM OF 18" DIAMETER.
4. CULVERT PIPE MATERIAL TO BE CMP/R.C.P. (CLASS IV), UNLESS PRIOR APPROVAL IS GRANTED BY THE CITY OF KILLEEN.
5. MINIMUM COVER OVER CULVERT PIPE SHALL PROVIDE H2O LOADING.
6. BACKFILL AROUND CULVERT PIPE SHALL BE SELECT MATERIAL TO BE PLACED AND COMPACTED TO 95% TEX-114E.
7. MINIMUM CHANNEL SIDE SLOPE SHALL BE 4:1.

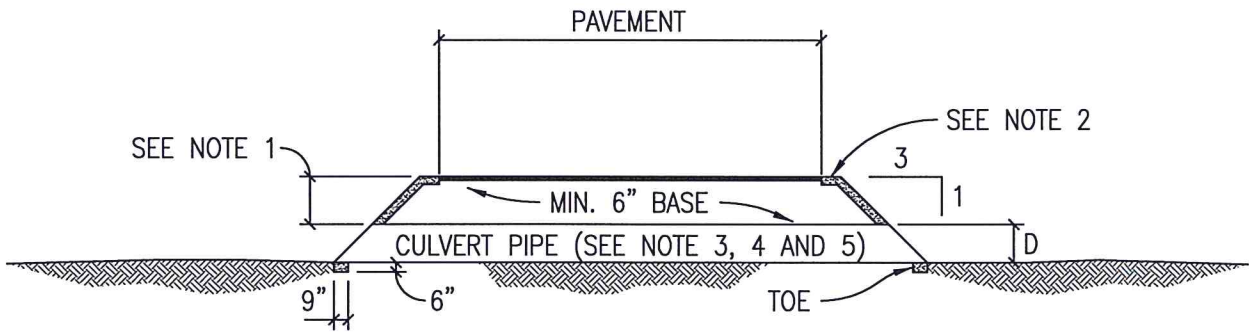
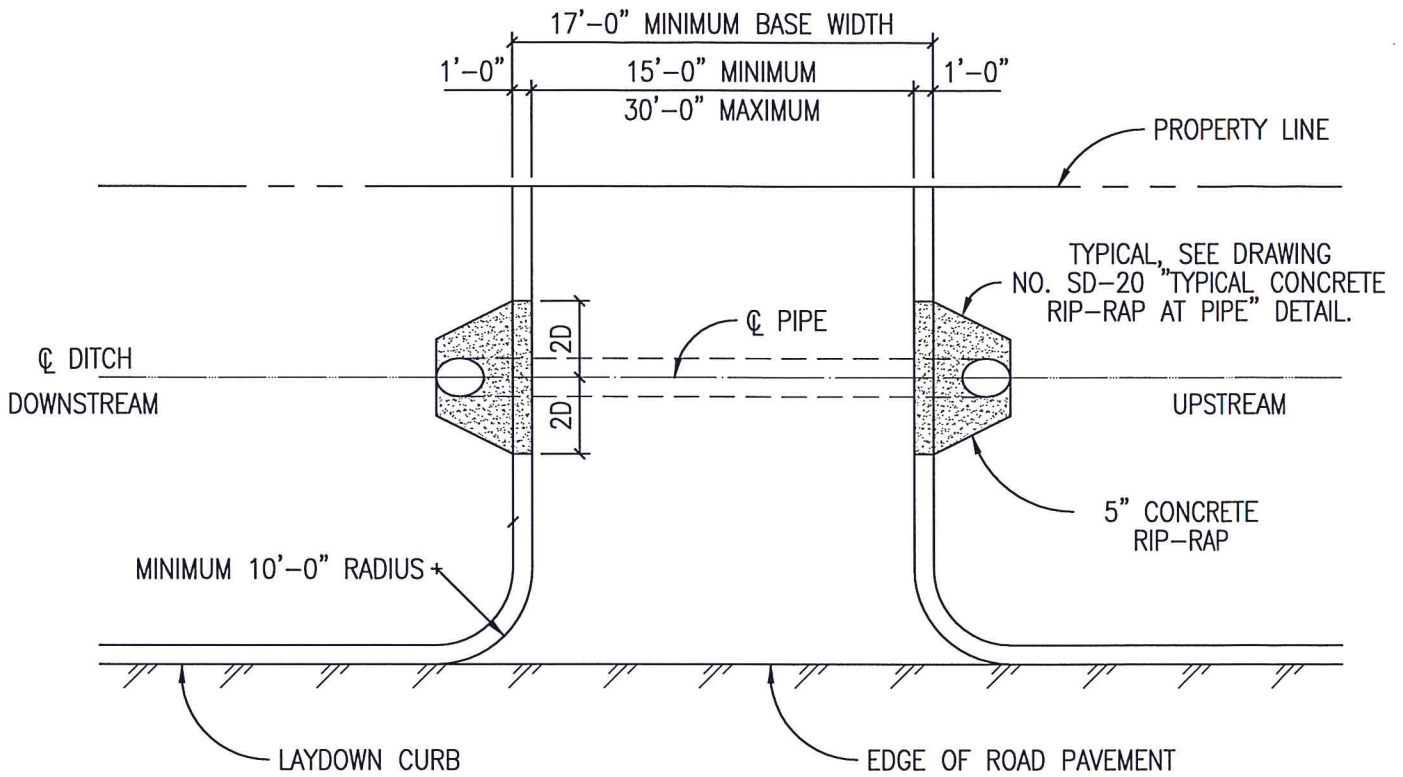
**CITY OF KILLEEN**  
DEPARTMENT OF PUBLIC WORKS

**RURAL RESIDENTIAL DRIVEWAY APPROACH  
WITH CULVERT PIPE**

CONSTRUCTION STANDARDS AND DETAILS



T-19  
SCALE: N.T.S.  
ISSUE DATE: 08-01-13



NOTES:

1. MINIMUM COVER OVER CULVERT PIPE SHALL BE 6" (SEE NOTE 5).
2. 5" CONCRETE RIP-RAP SHALL BE INSTALLED.
3. CULVERT PIPE TO BE MINIMUM OF 18" DIAMETER.
4. CULVERT PIPE MATERIAL TO BE CMP/R.C.P. (CLASS IV), UNLESS PRIOR APPROVAL IS GRANTED BY THE CITY OF KILLEEN. CLASS III RCP MAY BE USED WHERE A MINIMUM OF 12" OF BASE IS PLACED.
5. MINIMUM COVER OVER CULVERT PIPE SHALL PROVIDE H2O LOADING.
6. BACKFILL AROUND CULVERT PIPE SHALL BE SELECT MATERIAL TO BE PLACED AND COMPACTED TO 95% TEX-114E.
7. MINIMUM CHANNEL SIDE SLOPE SHALL BE 4:1.

**CITY OF KILLEEN**  
DEPARTMENT OF PUBLIC WORKS

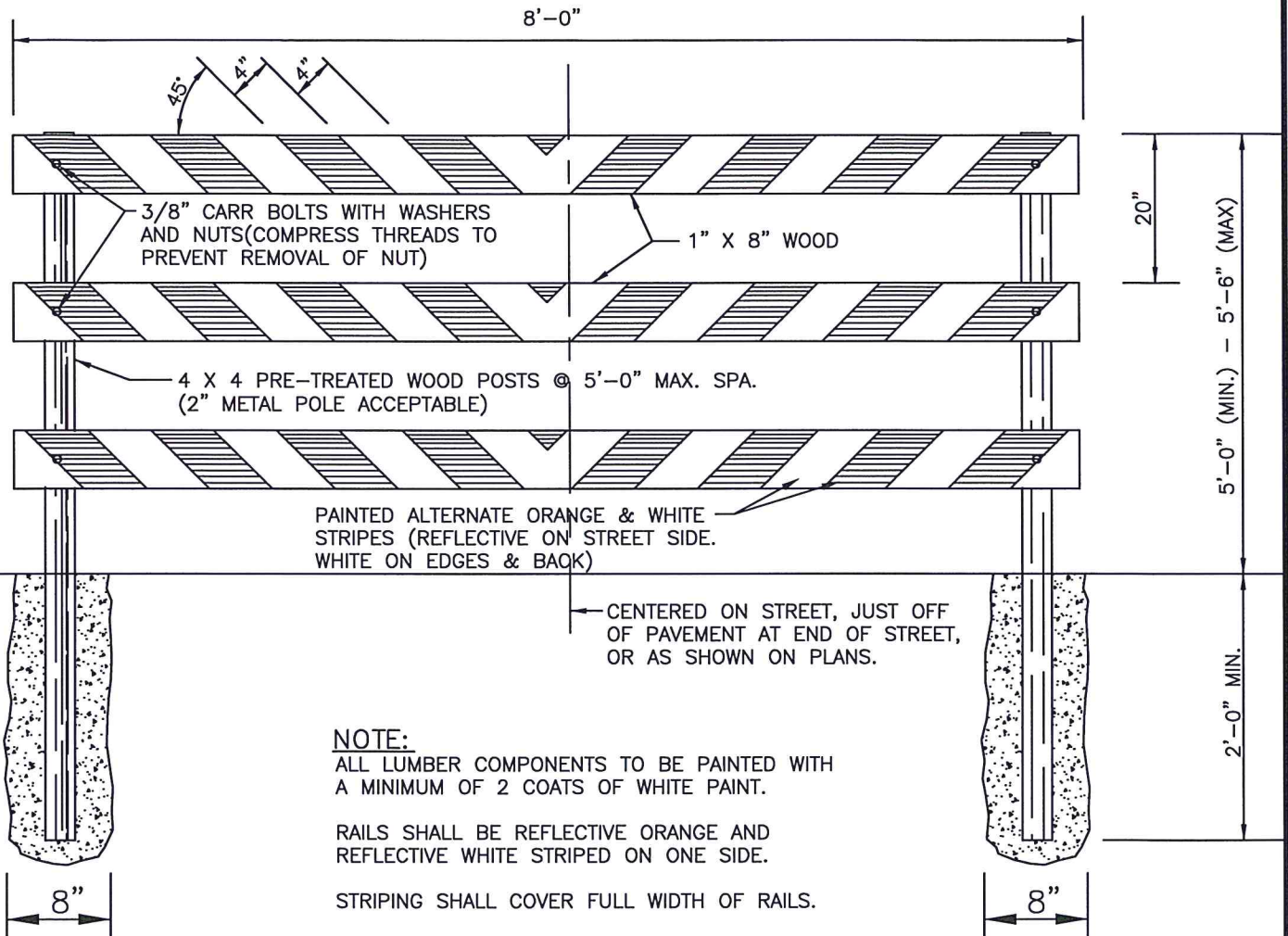
**RURAL NON-RESIDENTIAL UNDIVIDED DRIVEWAY  
APPROACH WITH CULVERT PIPE**  
CONSTRUCTION STANDARDS AND DETAILS



T-20  
SCALE: N.T.S.  
ISSUE DATE: 08-01-13

**SAFETY PROVISIONS:**

THE CONTRACTOR SHALL COMPLY WITH "TEXAS MANUAL, UNIFORM TRAFFIC CONTROL DEVICES FOR STREETS AND HIGHWAYS," VOLUME NO. 1, PART NO6, WITH CURRENT CHANGES.

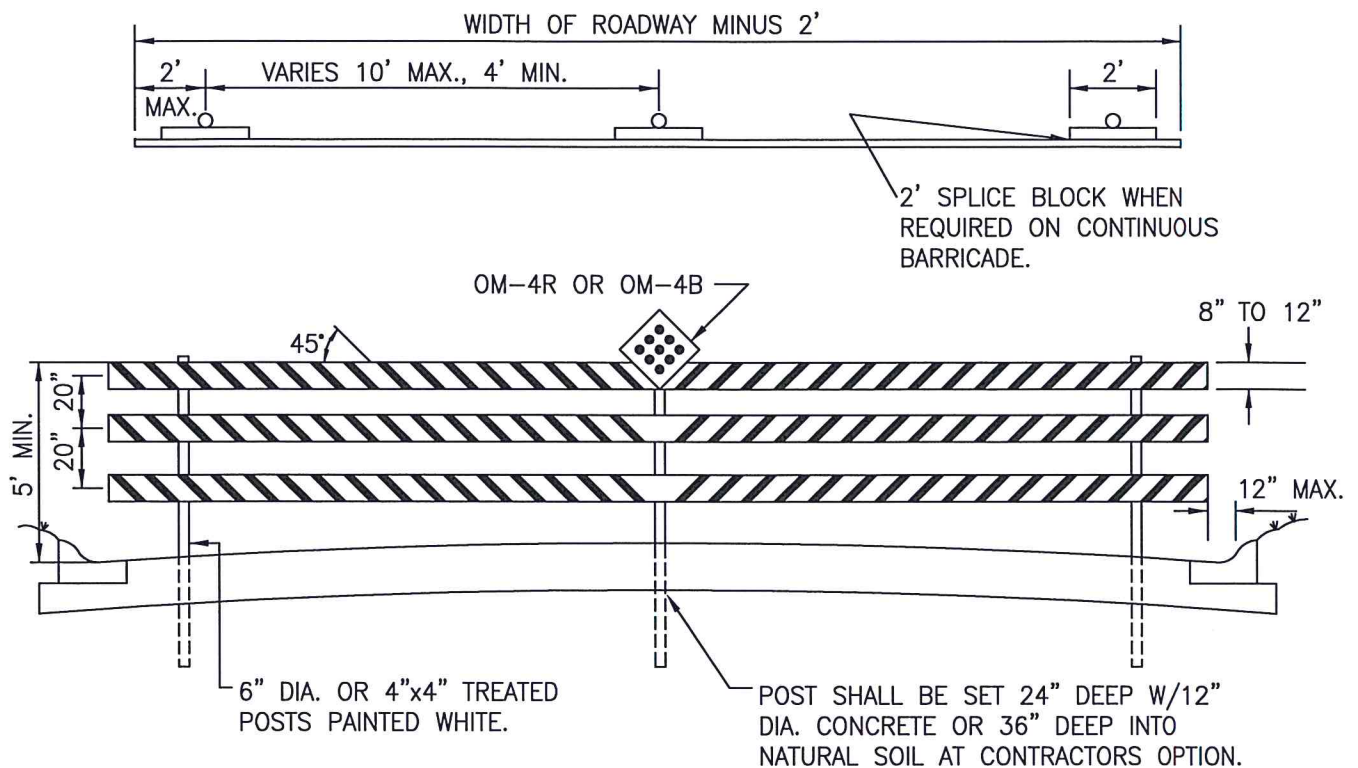


**CITY OF KILLEEN**  
 DEPARTMENT OF PUBLIC WORKS

**STANDARD**  
**TYPE III BARRICADE - SHORT TERM**  
 CONSTRUCTION STANDARDS AND DETAILS



T-21  
 SCALE: N.T.S.  
 ISSUE DATE: 08-01-13



**GENERAL NOTES FOR THIN WALL TUBE TYPE SIGN SUPPORT:**

1. THE BASE SOCKET IS FORMED FROM 2 7/8 " O.D. X 12 GAUGE GALVANIZED PIPE.
2. THE WEDGE IS FORMED FROM 11 GAUGE STEEL GALVANIZED PER ASTM A525.
3. THE SIGN POST IS 2.375" O.D. X 0.095" THIN WALL STEEL TUBING.
4. STEEL SUPPORTS SHALL BE MADE FROM NEW MATERIAL AND SHALL BE CORROSION RESISTANT. STEEL SUPPORTS SHALL BE GALVANIZED IN ACCORDANCE WITH ASTM DESIGNATIONS A123 OR A525 (G-90 OR BETTER).
5. SUPPORTS SHALL BE STRAIGHT WITHIN 1/4 " PER 5 FEET OF LENGTH AND SHALL HAVE A SMOOTH, UNIFORM FINISH FREE FROM DEFECTS AFFECTING STRENGTH OR APPEARANCE. ANY BOLT HOLES AND SHEARED ENDS SHALL BE FREE FROM BURRS. BASES OF MULTISECTION SUPPORTS SHALL NOT EXTEND MORE THAN 5 INCHES ABOVE GROUND WHEN INSTALLED.
6. BOLTS, NUTS, SCREWS, WASHERS AND OTHER MISCELLANEOUS HARDWARE SHALL BE GALVANIZED IN ACCORDANCE TO ASTM DESIGNATION: A153 CLASS C OR D, OR B695 CLASS 50.
7. BARRICADE SUPPORTS SYSTEMS USED ON THIS SHEET MAY BE SUITABLE FOR ONLY CERTAIN SOIL TYPES. THE CONTRACTOR IS RESPONSIBLE FOR SELECTING THE APPROPRIATE SUPPORT SYSTEM FOR SOIL CONDITIONS ON EACH PROJECT.
4. STRIPING OF RAILS, FOR THE RIGHT SIDE OF THE ROADWAY, SHOULD SLOPE DOWNWARD TO THE LEFT. FOR THE LEFT SIDE OF THE ROADWAY, STRIPING SHOULD SLOPE DOWNWARD TO THE RIGHT.
5. IDENTIFICATION MARKINGS MAY BE SHOWN ONLY ON THE BACK OF THE BARRICADE RAILS. THE MAXIMUM HEIGHT OF LETTERS AND/OR COMPANY LOGOS USED FOR IDENTIFICATION SHALL BE 1".
6. BARRICADES SHALL NOT BE PLACED PARALLEL TO TRAFFIC UNLESS AN ADEQUATE CLEAR ZONE IS PROVIDED.
7. WARNING LIGHTS SHALL NOT BE INSTALLED ON BARRICADES.
8. WHERE BARRICADES REQUIRE THE USE OF WEIGHTS TO KEEP FROM TURNING OVER, THE USE OF SANDBAGS WITH DRY, COHESIONLESS SAND IS RECOMMENDED. THE SANDBAGS WILL BE TIED SHUT TO KEEP THE SAND FROM SPILLING AND TO MAINTAIN A CONSTANT WEIGHT. ROCK, CONCRETE, IRON, STEEL OR OTHER SOLID OBJECTS WILL NOT BE PERMITTED. SANDBAGS SHOULD WEIGH A MINIMUM OF 35 LBS A MAXIMUM OF 50 LBS. SANDBAGS SHALL BE MADE OF A DURABLE MATERIAL THAT TEARS UPON VEHICULAR IMPACT. RUBBER (SUCH AS TIRE INNER TUBES) SHALL NOT BE USED FOR SANDBAGS. SANDBAGS SHALL ONLY BE PLACED ALONG OR UPON THE BASE SUPPORTS OF THE DEVICE AND SHALL NOT BE SUSPENDED ABOVE GROUND LEVEL OR HUNG WITH ROPE, WIRE, CHAINS OR OTHER FASTENERS.

**TYPE III BARRICADES:**

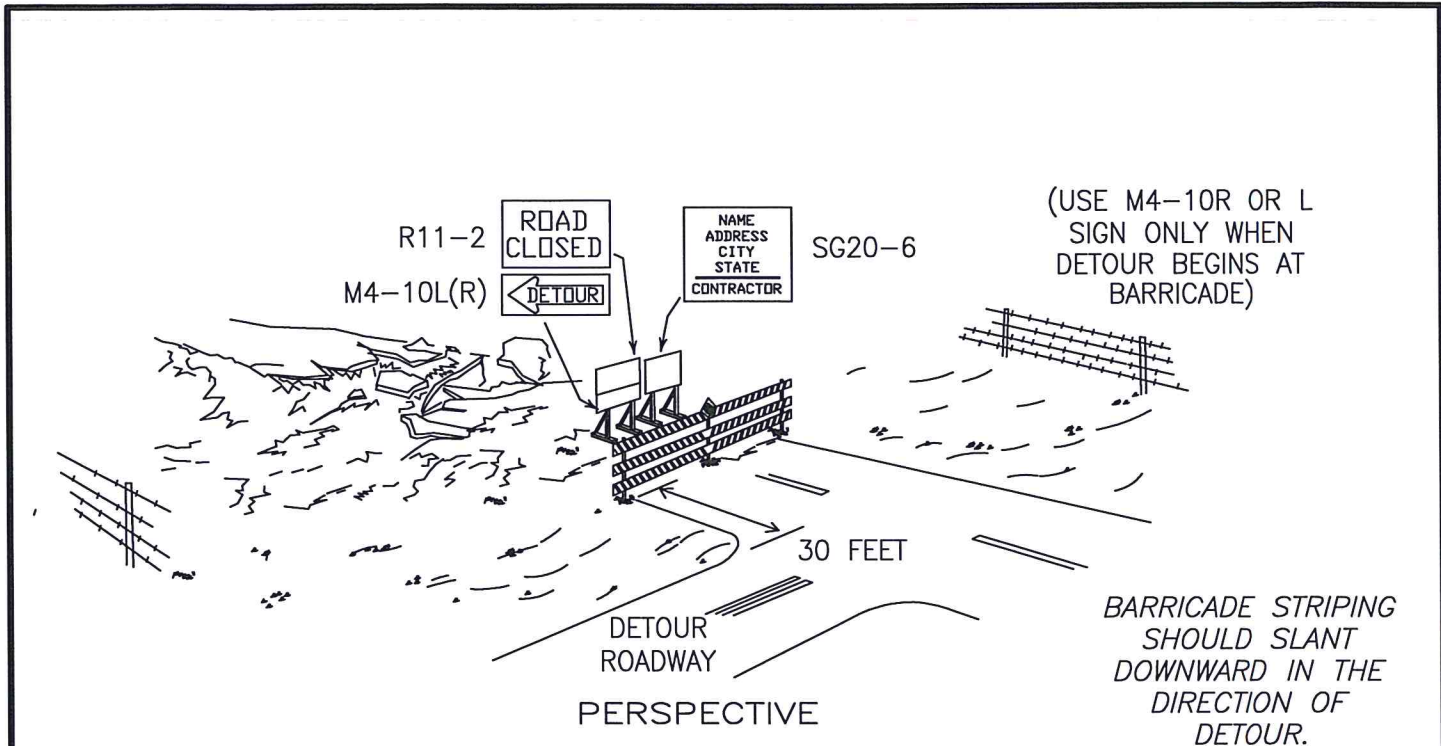
1. REFER TO THE COMPLIANT WORK ZONE TRAFFIC CONTROL DEVICES LIST (CWZTCD) FOR DETAILS OF THE TYPE III BARRICADES AND A LIST OF ALL MATERIALS USED IN THE CONSTRUCTION OF TYPE III BARRICADES.
2. TYPE III BARRICADES SHALL BE USED AT EACH END OF CONSTRUCTION PROJECTS CLOSED TO ALL TRAFFIC.
3. BARRICADES EXTENDING ACROSS A ROADWAY SHOULD HAVE STRIPES THAT SLOPE DOWNWARD IN THE DIRECTION TOWARD WHICH TRAFFIC MUST TURN IN DETOURING. WHEN BOTH RIGHT AND LEFT TURNS PROVIDED, THE CHEVRON STRIPING MAY SLOPE DOWNWARD IN BOTH DIRECTIONS FROM THE CENTER OF THE BARRICADE.

**CITY OF KILLEEN  
DEPARTMENT OF PUBLIC WORKS**

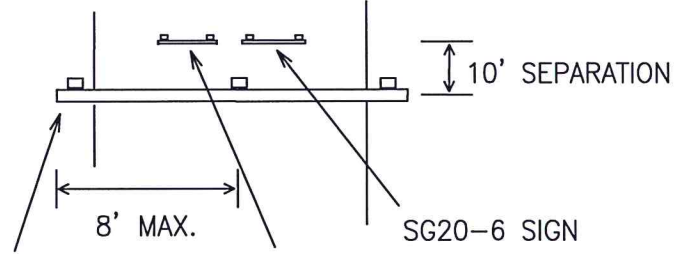
**STANDARD  
TYPE III BARRICADE – LONG TERM  
CONSTRUCTION STANDARDS AND DETAILS**



T-22  
SCALE: N.T.S.  
ISSUE DATE: 08-01-13



EACH ROADWAY OF DIVIDED HIGHWAY SHALL BE BARRICADED, IN THE SAME MANNER.



BARRICADES RAILS SHALL BE REFLECTORIZED ON ALL SIDES THAT FACE TRAFFIC.

- 1). R11-2 AND M4-10 SIGNS SHOULD BE MOUNTED ON INDEPENDENT SUPPORTS AT 7' MOUNTING HEIGHT IN CENTER OF ROADWAY.
- 2). ADVANCE SIGNING, INCLUDING CONSTRUCTION WARNING, SIGNS AND DETOUR SIGNING SHALL BE AS SPECIFIED ELSEWHERE IN THE PLANS.

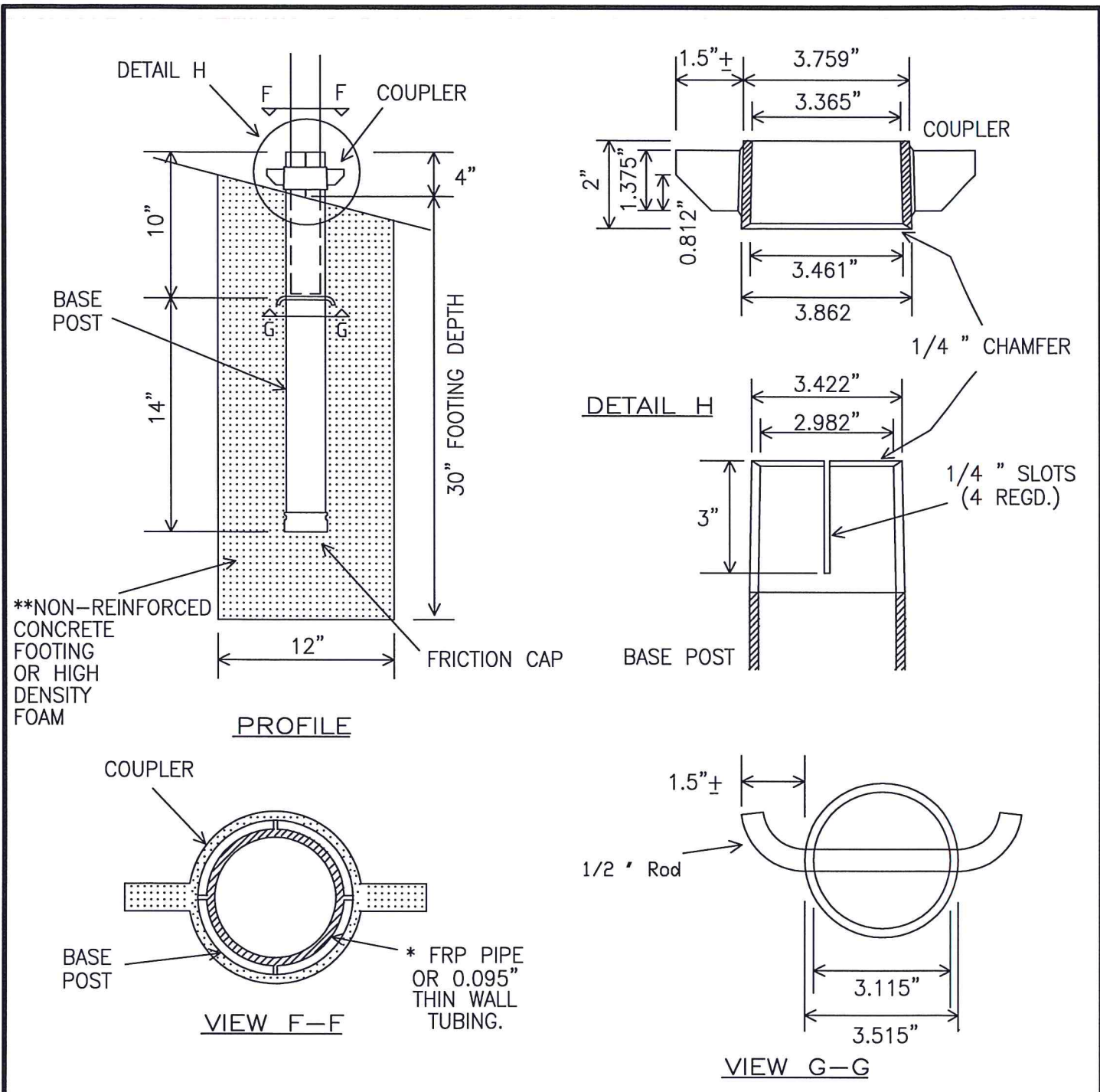
**CITY OF KILLEEN**  
DEPARTMENT OF PUBLIC WORKS

**TYPE III BARRICADE (POST TYPE)**  
**TYPICAL APPLICATION**

CONSTRUCTION STANDARDS AND DETAILS



T-23  
SCALE: N.T.S.  
ISSUE DATE: 08-01-13



\* PLASTING INSERT MUST BE USED WITH 1/16 " THIN WALL TUBING.  
 \*\* FOOTING SHALL BE REMOVED AND BACKFILLED WHEN BARRICADE IS REMOVED.

**CITY OF KILLEEN**  
 DEPARTMENT OF PUBLIC WORKS

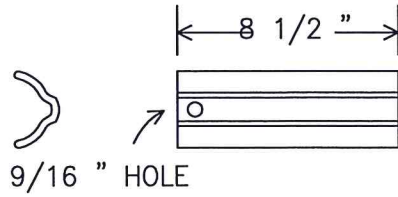
**UNIVERSAL ANCHOR SYSTEM**  
 (TYPE III BARRICADE)

CONSTRUCTION STANDARDS AND DETAILS

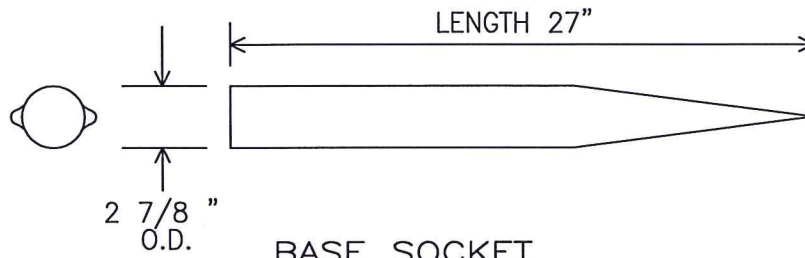


T-24  
 SCALE: N.T.S.  
 ISSUE DATE: 08-01-13

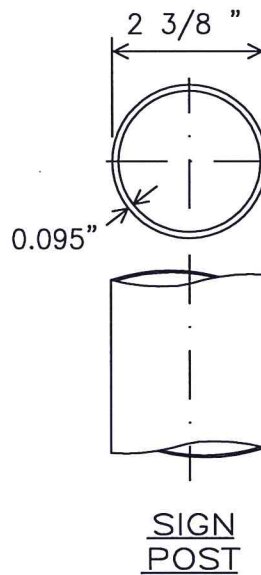
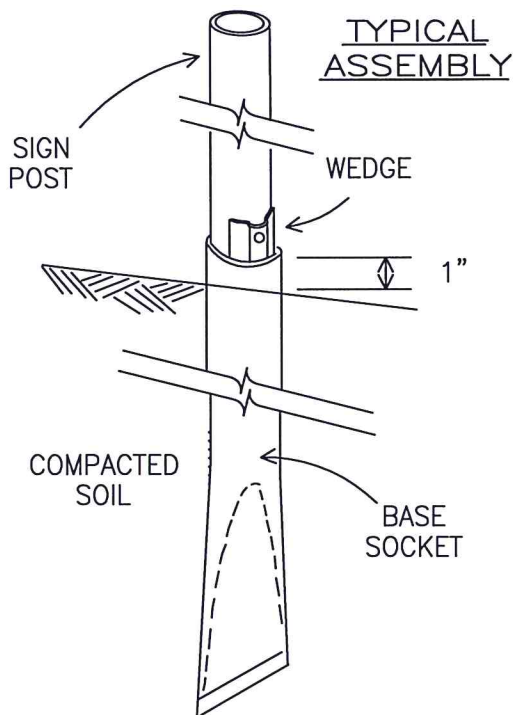




WEDGE



BASE SOCKET



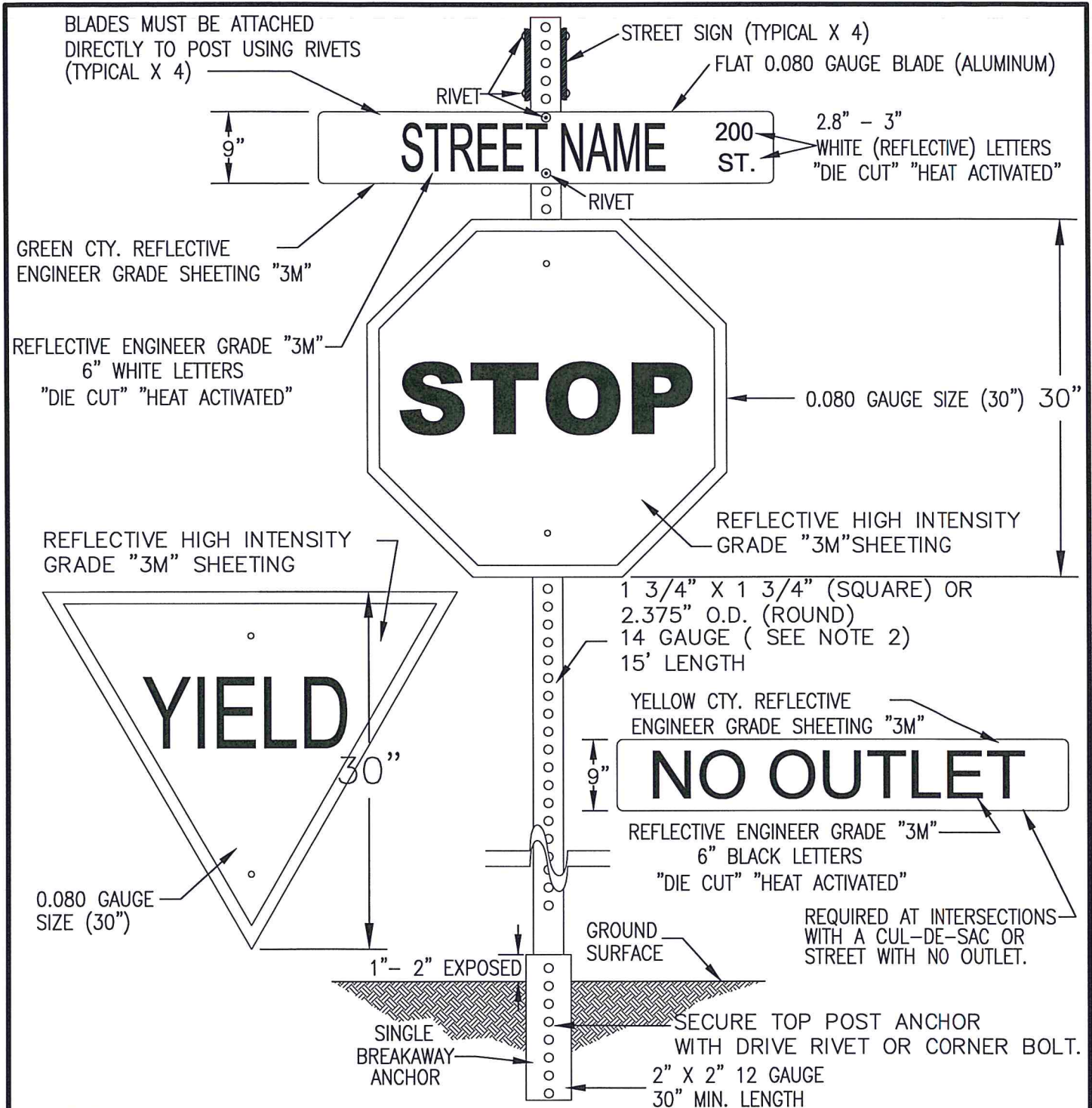
**CITY OF KILLEEN**  
DEPARTMENT OF PUBLIC WORKS

**POZ-LOC**  
**(DRIVABLE, TYPE III BARRICADE)**

CONSTRUCTION STANDARDS AND DETAILS



T-25  
SCALE: N.T.S.  
ISSUE DATE: 08-01-13



NOTE:

1. 7-FOOT MIN. HEIGHT FROM GROUND TO BOTTOM OF SIGN.
2. SIGN POST SHALL BE COLD-FORMED STEEL, 0.065 (INCHES) WALL THICKNESS, WITH INTERIOR CORROSION RESISTANT COATING, AND EXTERIOR POWDER COATING HIGH VISIBILITY YELLOW.

CITY OF KILLEEN  
DEPARTMENT OF PUBLIC WORKS

STANDARD STREET SIGN  
DETAIL

CONSTRUCTION STANDARDS AND DETAILS

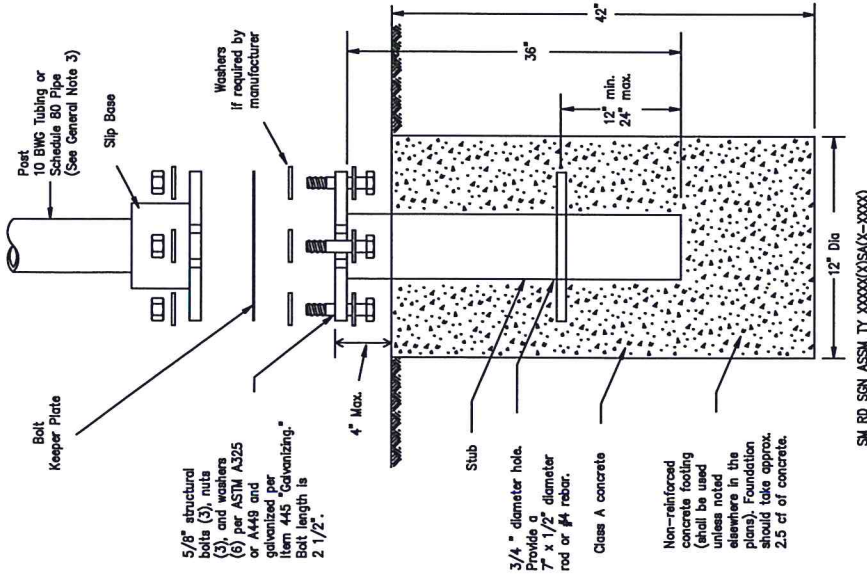


T-26  
SCALE: N.T.S.  
ISSUE DATE: 08-01-13

# TRIANGULAR SLIPBASE INSTALLATION GENERAL REQUIREMENTS

## NOTE

There are various devices approved for the Triangular Slipbase System. Please reference the Material Producer List for approved slip base systems. [http://www.txdot.gov/business/producer\\_list.htm](http://www.txdot.gov/business/producer_list.htm). The devices shall be installed per manufacturers' recommendations. Installation procedures shall be provided to the Engineer by Contractor.



## GENERAL NOTES:

- Slip base shall be permanently marked to indicate manufacturer, method, design, and location of marking are subject to approval of the TxDOT Traffic Standards Engineer.
- Material used as post with this system shall conform to the following specifications:
  - 10 BWG Tubing (2.875" outside diameter)
  - 0.134" nominal wall thickness
  - Seamless or electric-resistance welded steel tubing or pipe
  - Steel shall be HSJAS Gr 55 per ASTM A1011 or ASTM A1008
  - Other steels may be used if they meet the following:
    - 55,000 PSI minimum yield strength
    - 70,000 PSI minimum tensile strength
    - 20% minimum elongation in 2"
  - Wall thickness (uncoated) shall be within the range of 0.122" to 0.138"
  - Outside diameter (uncoated) shall be within the range of 2.867" to 2.883"
  - Galvanization per ASTM A123 or ASTM A653 G210. For pre-coated steel tubing (ASTM A653), recast tube outside diameter weld seam by metalizing with zinc wire per ASTM B633.
  - Schedule 80 Pipe (2.875" outside diameter)
    - 0.276" nominal wall thickness
    - 55,000 PSI minimum yield strength
    - 70,000 PSI minimum tensile strength
    - 21% minimum elongation in 2"
  - Wall thickness (uncoated) shall be within the range of 0.248" to 0.304"
  - Outside diameter (uncoated) shall be within the range of 2.855" to 2.895"
  - Galvanization per ASTM A123
- See the Traffic Operations Division website for detailed drawings of sign clamps and Texas Universal Triangular Slipbase System components. The website address is: <http://www.txdot.gov/publications/traffic.htm>
- Sign supports shall not be spliced except where shown. Sign support posts shall not be spliced.

## ASSEMBLY PROCEDURE

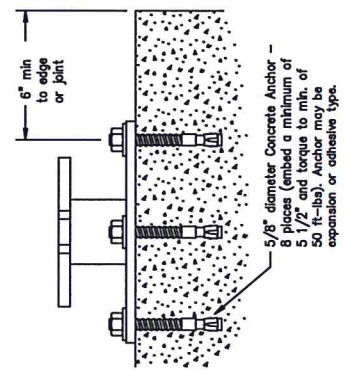
- ### Foundation
- Prepare 12-inch diameter by 42-inch deep hole. If solid rock is encountered, the depth of the foundation may be reduced such that it is embedded a minimum of 18 inches into the solid rock.
  - The Engineer may permit batches of concrete less than 2 cubic yards to be mixed with a portable, motor-driven concrete mixer. For small placements less than 0.5 cubic yards, hand mixing in a suitable container may be allowed by Engineer. Concrete shall be Class A.
  - Push the pipe end of the slip base stub into the center of the concrete. Rotate the stub back and forth while pushing it down into the concrete to assure good contact between the concrete and stub. Continue to work the stub into the concrete until it is between 2 to 4 inches above the ground.
  - Plumb the stub. Allow a minimum of 4 days to set, unless otherwise directed by the Engineer.
  - The triangular slipbase system is multidirectional and is designed to release when struck from any direction.

## Support

- Cut support so that the bottom of the sign will be 7 to 7.5 feet above the edge of the travelway (i.e., edge of the closest lane) when slip plate is below the edge of pavement or 7 to 7.5 feet above slip plate when the slip plate is above the edge of the travelway. The cut shall be plumb and straight.
- Attach sign to support using connections shown. When multiple signs are installed on the same support, ensure the minimum clearance between each sign is maintained. See SMD(SLIP-2) for clearances based on sign types.

Concrete anchor consists of 5/8" diameter stud bolt with UNC series bolt threads on the upper end. Heavy hex nut per ASTM A563, and hardened washer per ASTM F436. The stud bolt shall have a minimum yield and ultimate tensile strength of 50 and 75 KSI, respectively. Nuts, bolts and washers shall be galvanized per Item 445. Galvanized adhesive type anchors shall have stud bolts installed with Type III epoxy per DMS-5100. Epoxies and Adhesives. Adhesive anchors may be loaded after adequate epoxy cure time per the manufacturer's recommendations. Top of bolt shall extend at least flush with top of the nut when installed. The anchor, when installed in 4000 psi normal-weight concrete with a 3 1/2" minimum embedment, shall have a minimum allowable tension and shear of 3900 and 3100 psi, respectively.

## CONCRETE ANCHOR



SM RD SGN ASSM TY X0000(X)SE(X-X000)

# CITY OF KILLEEN

## DEPARTMENT OF PUBLIC WORKS

### CONSTRUCTION STANDARDS AND DETAILS

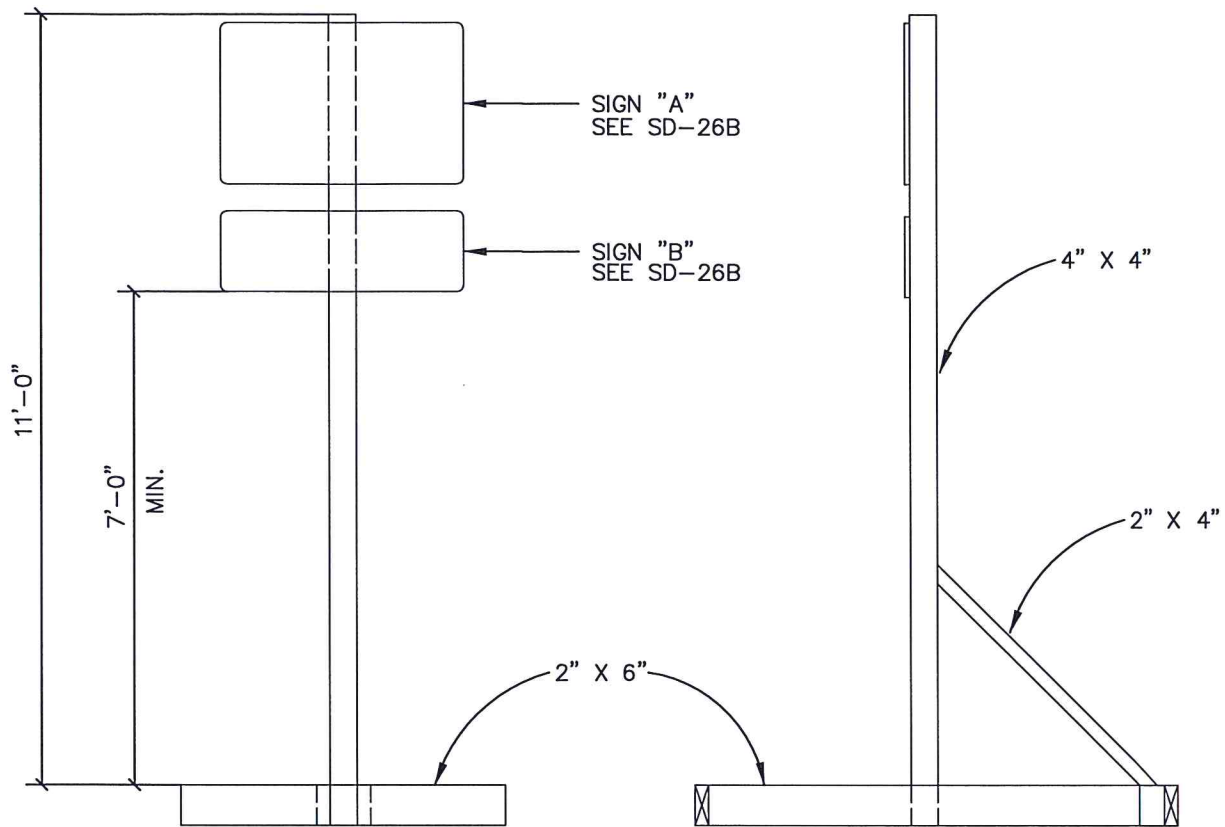
# TRIANGULAR SLIPBASE SYSTEM SMD(SLIP-1)-08

ISSUE DATE: 03-12-13

SCALE: N.T.S.

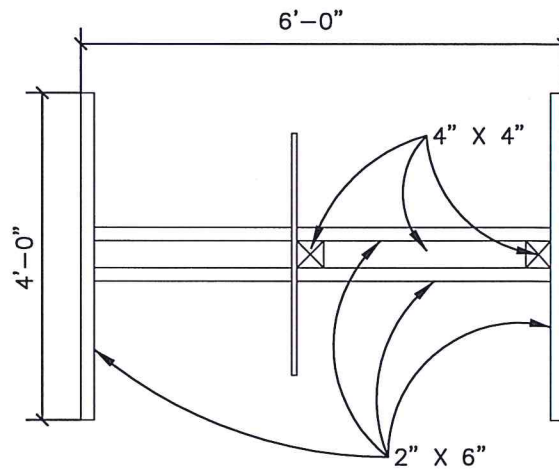
T-27





FRONT VIEW

SIDE VIEW



TOP VIEW

NOTES:

1. ALL MATERIALS SHALL BE FURNISHED BY THE CONTRACTOR WITH THE EXCEPTION OF THE CITY OF KILLEEN LOGO WHICH WILL BE FURNISHED BY THE CITY.
2. LUMBER DIMENSIONS ARE NOMINAL DIMENSIONS.
3. ANCHORS OR SANDBAGS SHALL BE USED TO HOLD PROJECT SIGN IN PLACE.

**CITY OF KILLEEN**  
DEPARTMENT OF PUBLIC WORKS

PROJECT SIGN  
TYPE II

CONSTRUCTION STANDARDS AND DETAILS



T-28  
SCALE: N.T.S.  
ISSUE DATE: 08-01-13

NOTES:

1. COMMERCIAL SIDEWALK WIDTHS – 6' TYPICAL  
RESIDENTIAL SIDEWALK WIDTHS – 5' TYPICAL
2. ALL SLOPES ARE MAXIMUM ALLOWABLE. FLATTER SLOPES THAT WILL STILL DRAIN PROPERLY ARE ENCOURAGED.
3. ALL CONCRETE SURFACES SHALL RECEIVE A LIGHT BROOM FINISH UNLESS NOTED OTHERWISE IN THE PLANS.
4. FOR PURPOSES OF WARNING, THE CURB RAMPS SHALL HAVE A LIGHT REFLECTIVE VALUE AND TEXTURE THAT SIGNIFICANTLY CONTRASTS WITH THAT OF ADJOINING PEDESTRIAN ROUTES.
5. TEXTURES MAY CONSIST OF PAVERS WITH TRUNCATED DOMED SURFACES. TEXTURES ARE REQUIRED TO BE DETECTABLE UNDERFOOT. SURFACES THAT WOULD ALLOW WATER TO ACCUMULATE ARE PROHIBITED. TEXTURES SHALL BE AT LEAST 2- FEET IN LENGTH IN THE DIRECTION OF THE RAMP AND COVER THE WIDTH OF THE RAMP.
6. COLOR CONTRAST, FOR EXAMPLE, CAN BE ACCOMPLISHED WITH COLORED CONCRETE PAVERS THAT HAVE TRUNCATED DOMES WHICH WOULD PROVIDE A CONTRAST WITH TYPICALLY LIGHT COLORED CONCRETE.
7. ADDITIONAL INFORMATION ON CURB RAMP LOCATION, DESIGN, VISIBILITY AND TEXTURE MAY BE FOUND IN THE CURRENT EDITION OF THE TEXAS ACCESSIBILITY STANDARDS (TAS) PREPARED AND ADMINISTERED BY THE TEXAS DEPARTMENT OF LICENSING AND REGULATION (TDLR).
8. RAISED MEDIANS SEPARATE OPPOSING DIRECTIONS OF TRAFFIC AND PROVIDE A REFUGE AREA FOR PEDESTRIANS IF THEY ARE UNABLE TO CROSS THE ENTIRE ROADWAY IN THE ALLOTTED SIGNAL PHASE. TO SERVE AS A REFUGE AREA, THE MEDIAN SHOULD BE A MINIMUM OF 6 FEET WIDE. MEDIANS SHOULD BE DESIGNED TO PROVIDE ACCESSIBLE PASSAGE OVER OR THROUGH THEM.
9. FOR PROJECTS IN WHICH PEDESTRIAN COMPONENTS (SIDEWALKS, HANDICAP RAMPS, ETC.) TOTAL CONSTRUCTION COST \$50,000 OR MORE, CONSTRUCTION PLANS SHALL BE SUBMITTED AND APPROVED BY THE TEXAS DEPARTMENT OF LICENSING AND REGULATION BY THE ENGINEER OF RECORD.
10. ANY PART OF THE ACCESSIBLE ROUTE WITH A SLOPE GREATER THAN 1:20 (5%) SHALL BE CONSIDERED A RAMP. IF A RAMP HAS A RISE GREATER THAN 6 INCHES OR A HORIZONTAL PROJECTION GREATER THAN 72 INCHES, THEN IT SHALL HAVE HANDRAILS ON BOTH SIDES. THE ONLY EXCEPTION IS AT CURB RAMPS. HANDRAILS ARE NOT REQUIRED ON CURB RAMPS. CURB RAMPS SHALL BE PROVIDED WHEREVER AN ACCESSIBLE ROUTE CROSSES (PENETRATES) A CURB. CURB RAMPS ARE GENERALLY INTERPRETED AS ONLY THE PORTION TYING DIRECTLY INTO THE ROADWAY.
11. TRAFFIC SIGNAL OR ILLUMINATION POLES, GROUND BOXES, CONTROLLER BOXES, SIGNS, DRAINAGE FACILITIES AND OTHER ITEMS SHALL BE PLACED SO NOT TO OBSTRUCT THE ACCESSIBLE ROUTE.
12. ALL SIDEWALKS WILL BE DOWELED INTO EXISTING SIDEWALKS, DRIVEWALKS, DRIVEWAYS, INLET BOXES, RETAINING WALLS, ETC.

**CITY OF KILLEEN**  
**DEPARTMENT OF PUBLIC WORKS**

**PEDESTRIAN RAMPS**  
**GENERAL NOTES**

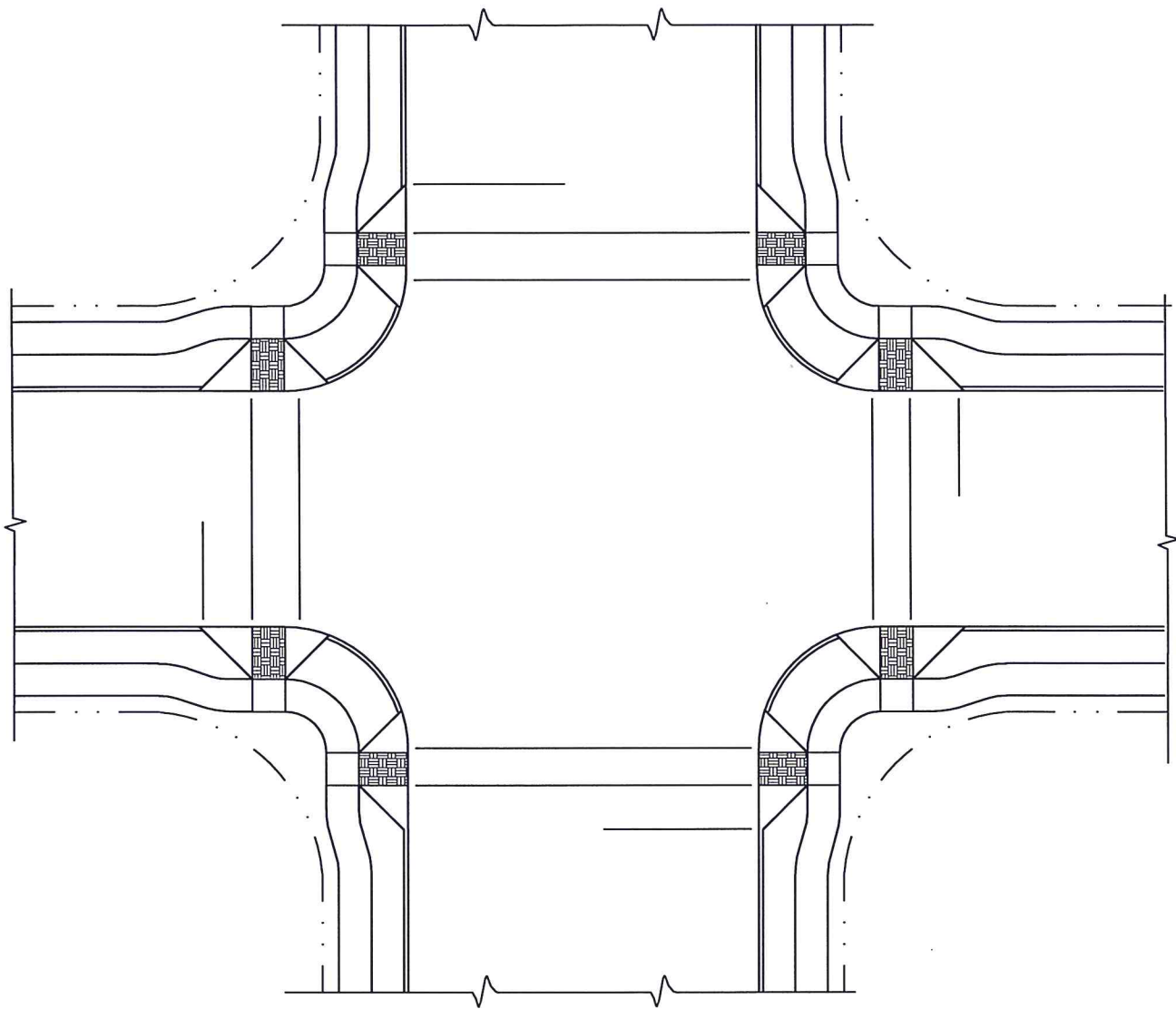
**CONSTRUCTION STANDARDS AND DETAILS**



T-29

SCALE: N.T.S.

ISSUE DATE: 08-01-13



OFFSET SIDEWALKS

NOTE: CURB RAMPS WITH RETURNED CURBS  
 INSTEAD OF SIDE FLARES ARE PERMITTED  
 WHERE PEDESTRIANS WOULD NOT NORMALLY  
 WALK ACROSS THE RAMP

**CITY OF KILLEEN**  
 DEPARTMENT OF PUBLIC WORKS

TYPICAL  
 INTERSECTION LAYOUT  
 CONSTRUCTION STANDARDS AND DETAILS

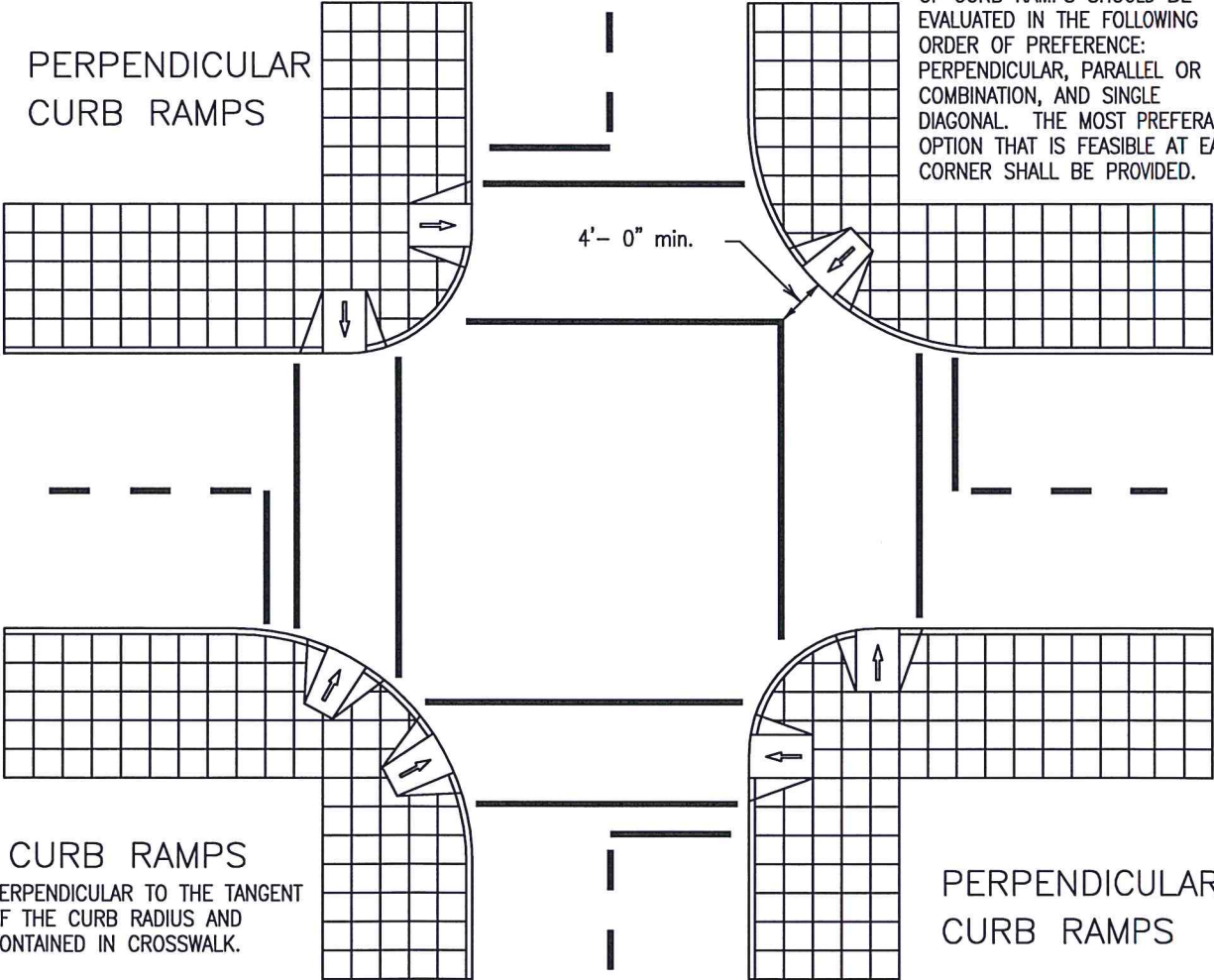


T-30  
 SCALE: N.T.S.  
 ISSUE DATE: 08-01-13

# SINGLE DIAGONAL CURB RAMP

FOR ON-SYSTEM NEW CONSTRUCTION, RECONSTRUCTION AND REHABILITATION PROJECTS WHERE PEDESTRIAN FACILITIES ARE NEWLY CONSTRUCTED OR SUBSTANTIALLY ALTERED, CONSTRUCTION OF SINGLE DIAGONAL RAMPS IS NOT PERMITTED.

FOR ON-SYSTEM PROJECTS SUCH AS RESTORATION, SEAL COAT AND OVERLAY PROJECTS, PLACEMENT OF CURB RAMPS SHOULD BE EVALUATED IN THE FOLLOWING ORDER OF PREFERENCE: PERPENDICULAR, PARALLEL OR COMBINATION, AND SINGLE DIAGONAL. THE MOST PREFERABLE OPTION THAT IS FEASIBLE AT EACH CORNER SHALL BE PROVIDED.




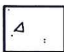
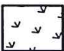
**CITY OF KILLEEN**  
DEPARTMENT OF PUBLIC WORKS

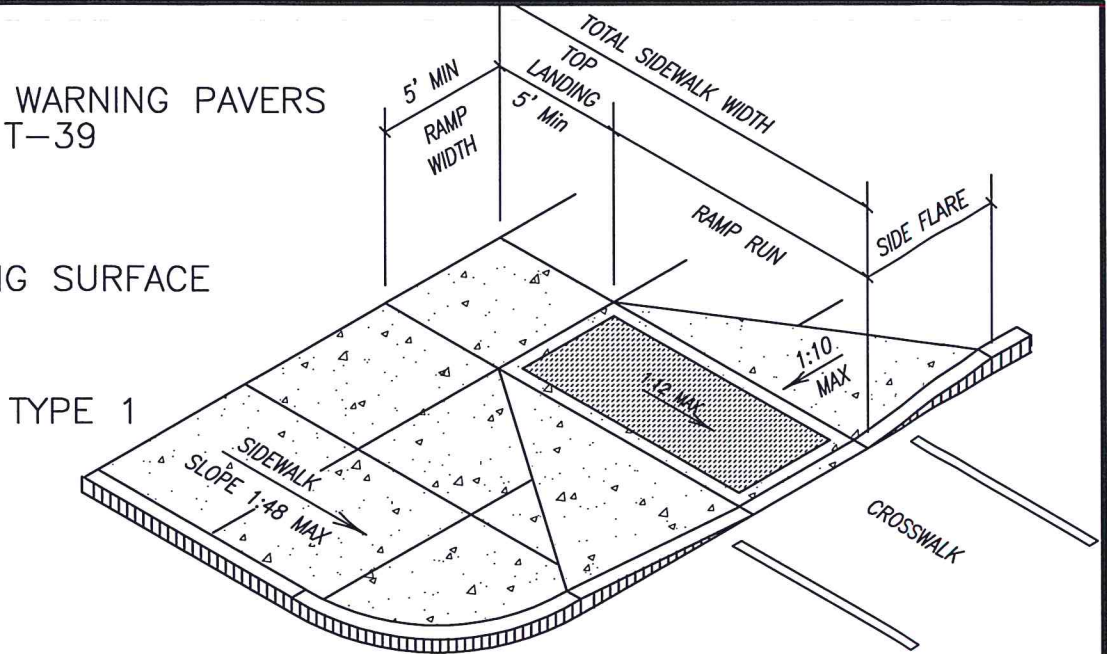
**CURB RAMPS**  
**PLACEMENTS AT INTERSECTIONS**  
CONSTRUCTION STANDARDS AND DETAILS



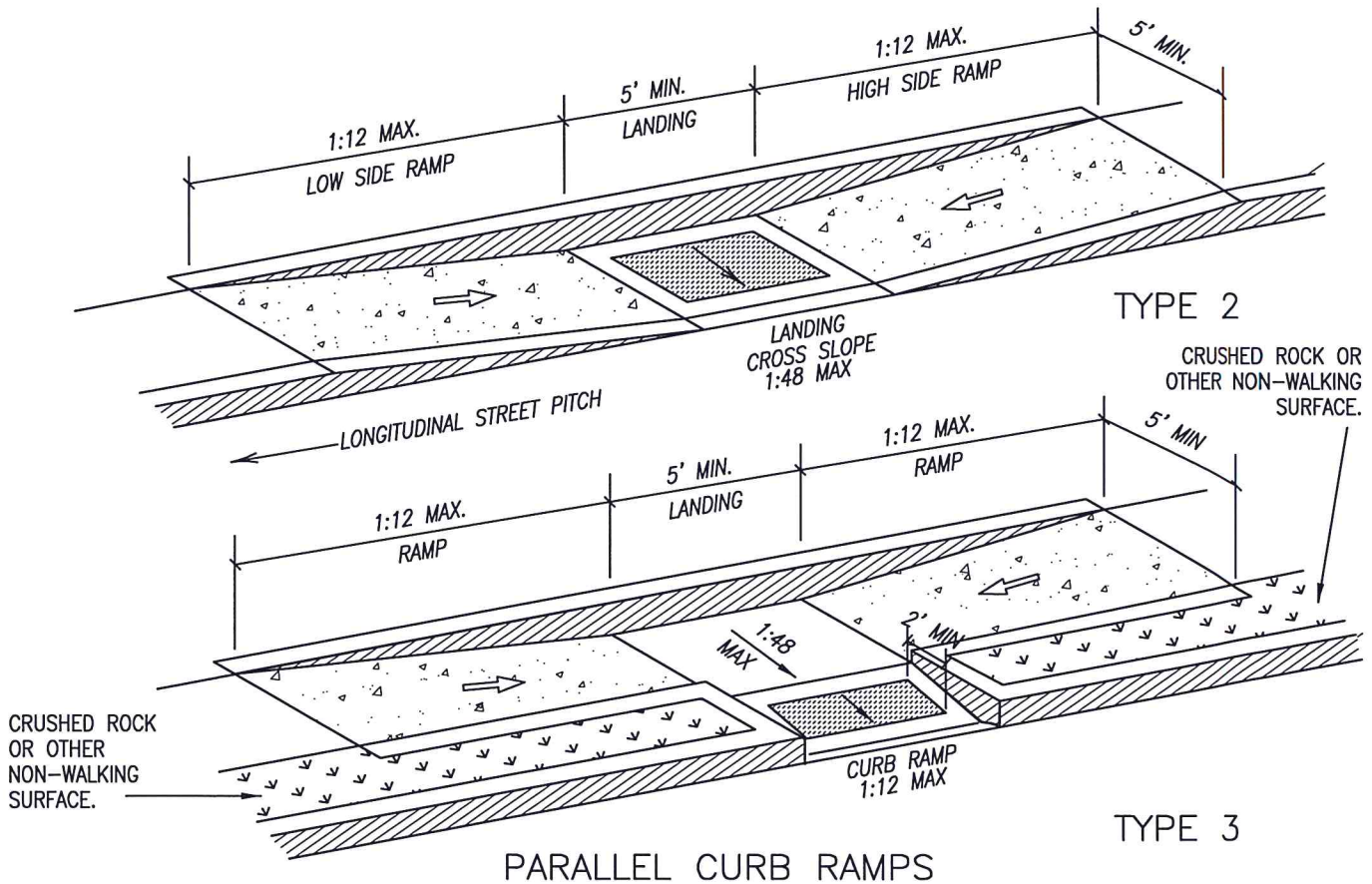
T-31  
SCALE: N.T.S.  
ISSUE DATE: 08-01-13

**LEGEND**

-  DETECTABLE WARNING PAVERS SEE DETAIL T-39
-  CONCRETE
-  NON-WALKING SURFACE



PERPENDICULAR CURB RAMPS



PARALLEL CURB RAMPS

**CITY OF KILLEEN**  
DEPARTMENT OF PUBLIC WORKS

**SIDEWALK RAMP DETAILS**  
TYPE 1-3


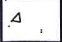
CONSTRUCTION STANDARDS AND DETAILS



T-32  
SCALE: N.T.S.  
ISSUE DATE: 08-01-13

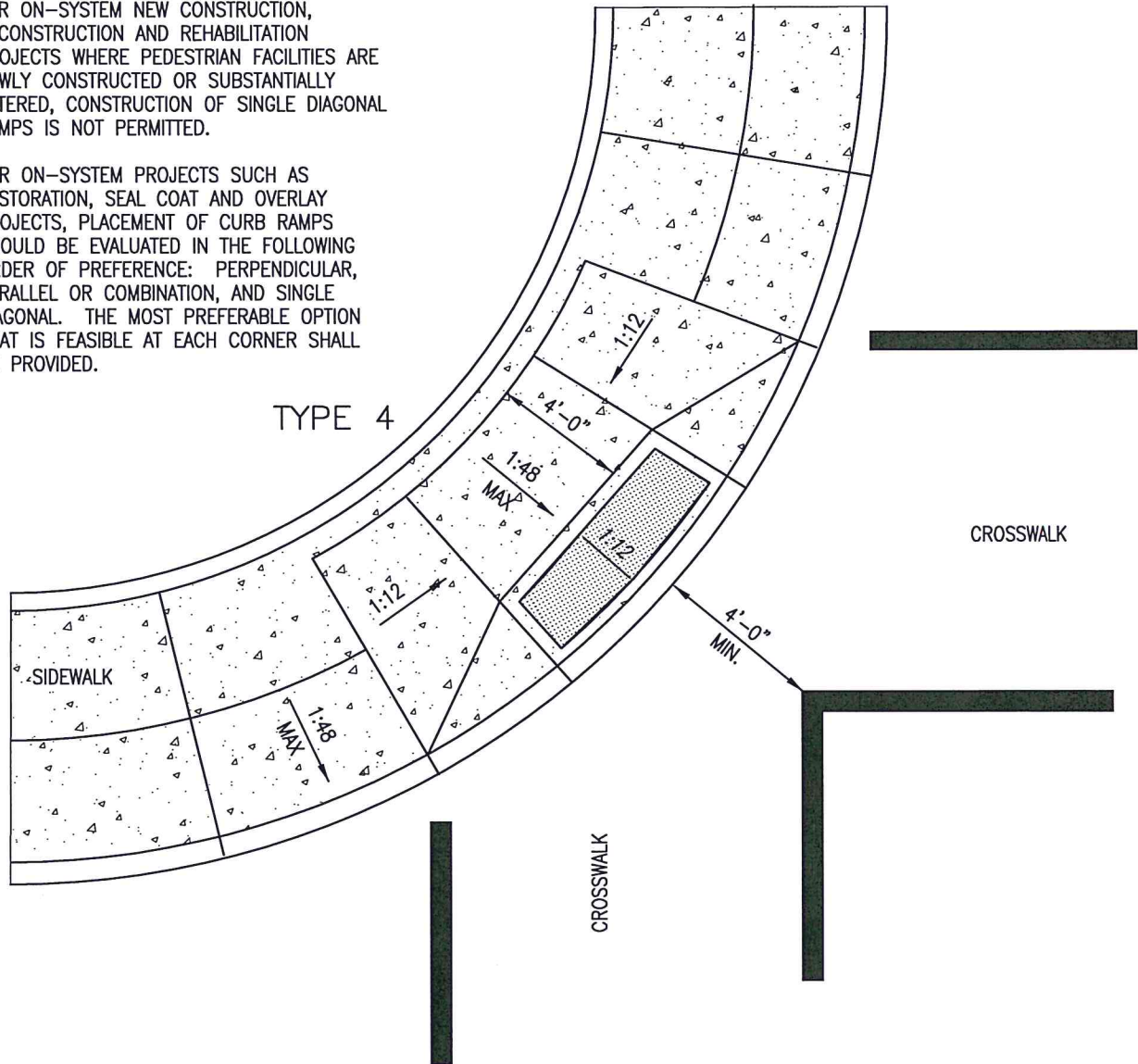


LEGEND

-  DETECTABLE WARNING PAVERS  
SEE DETAIL T-39
-  CONCRETE

FOR ON-SYSTEM NEW CONSTRUCTION, RECONSTRUCTION AND REHABILITATION PROJECTS WHERE PEDESTRIAN FACILITIES ARE NEWLY CONSTRUCTED OR SUBSTANTIALLY ALTERED, CONSTRUCTION OF SINGLE DIAGONAL RAMPS IS NOT PERMITTED.

FOR ON-SYSTEM PROJECTS SUCH AS RESTORATION, SEAL COAT AND OVERLAY PROJECTS, PLACEMENT OF CURB RAMPS SHOULD BE EVALUATED IN THE FOLLOWING ORDER OF PREFERENCE: PERPENDICULAR, PARALLEL OR COMBINATION, AND SINGLE DIAGONAL. THE MOST PREFERABLE OPTION THAT IS FEASIBLE AT EACH CORNER SHALL BE PROVIDED.



SINGLE DIAGONAL CURB RAMP

PERPENDICULAR TO THE TANGENT OF THE CURB RADIUS AND CONTAINED IN CROSSWALK.

**CITY OF KILLEEN**  
DEPARTMENT OF PUBLIC WORKS

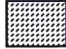
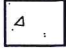
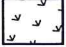
**SIDEWALK RAMP DETAILS**  
**TYPE 4**

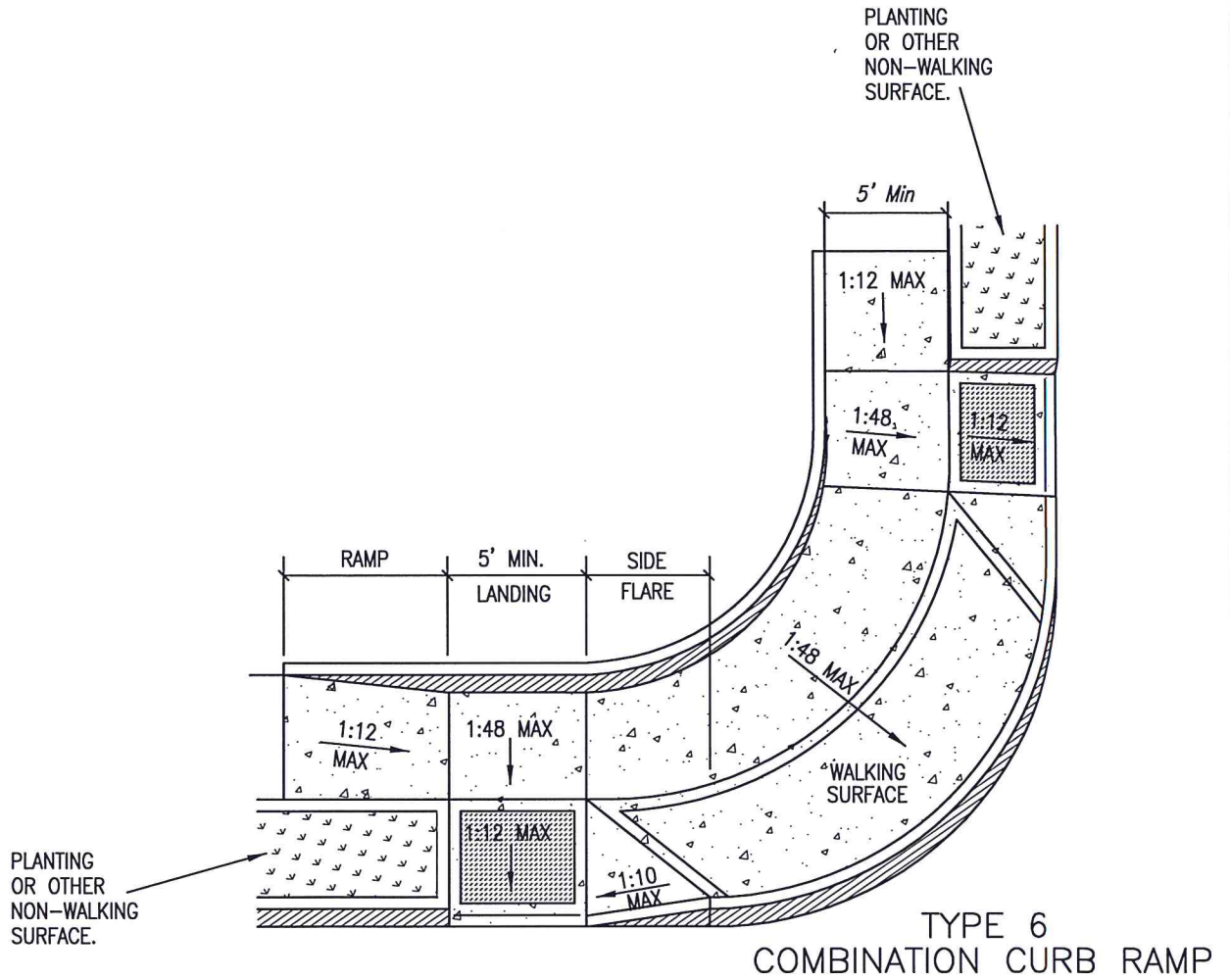
CONSTRUCTION STANDARDS AND DETAILS



T-33  
SCALE: N.T.S.  
ISSUE DATE: 08-01-13

LEGEND

-  DETECTABLE WARNING PAVERS  
SEE DETAIL T-39
-  CONCRETE
-  NON-WALKING SURFACE



CITY OF KILLEEN  
DEPARTMENT OF PUBLIC WORKS

SIDEWALK RAMP DETAILS  
TYPE 6

CONSTRUCTION STANDARDS AND DETAILS



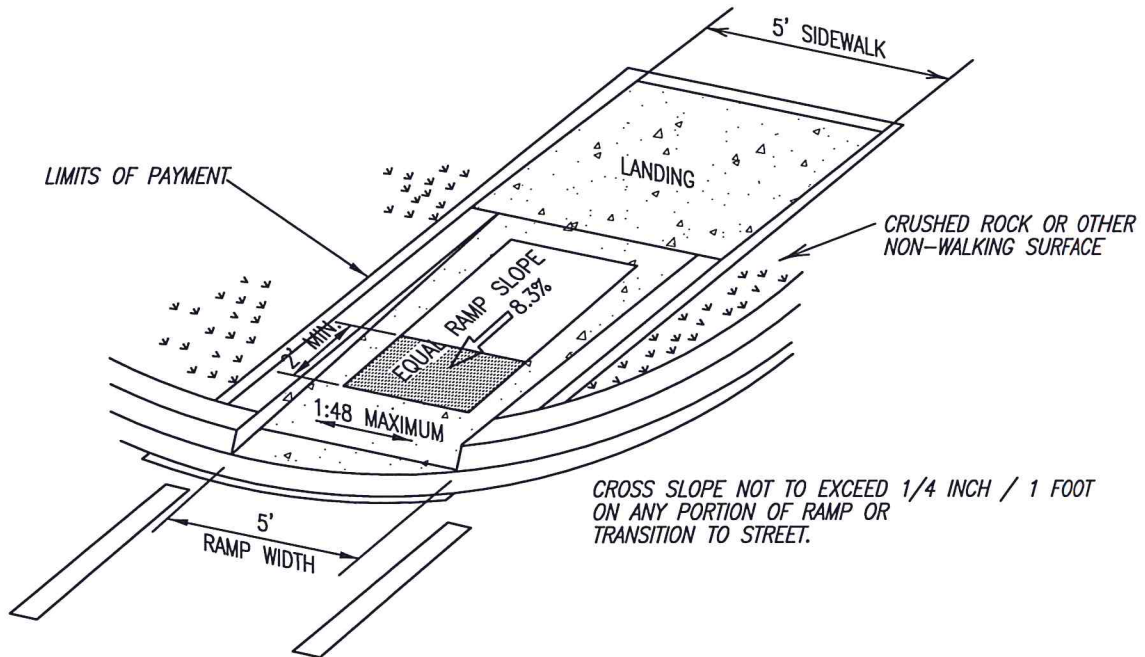
T-34  
SCALE: N.T.S.  
ISSUE DATE: 08-01-13

LEGEND

 DETECTABLE WARNING PAVERS  
SEE DETAIL T-39

 CONCRETE

 NON-WALKING SURFACE



TYPE 7

DIRECTIONAL RAMP WITHIN RADIUS

**CITY OF KILLEEN**  
DEPARTMENT OF PUBLIC WORKS

**SIDEWALK RAMP DETAILS**  
**TYPE 7**

CONSTRUCTION STANDARDS AND DETAILS

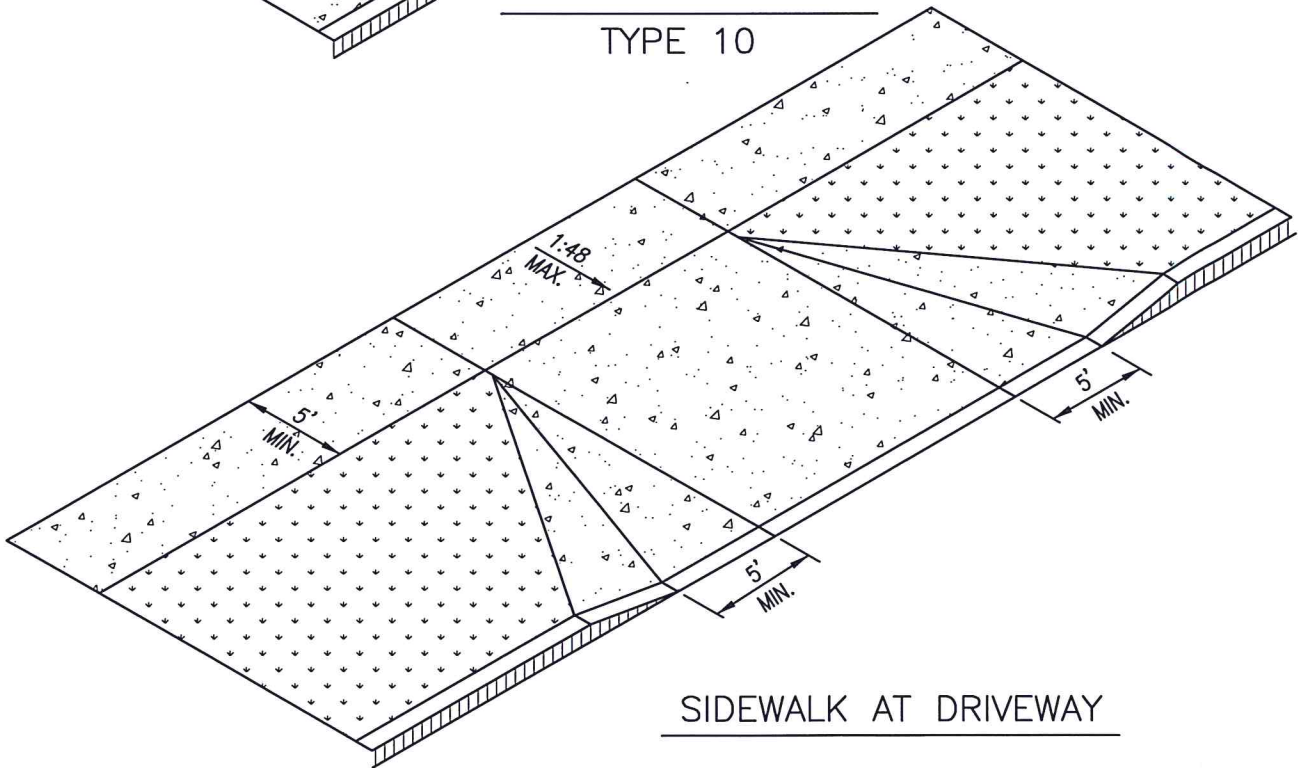
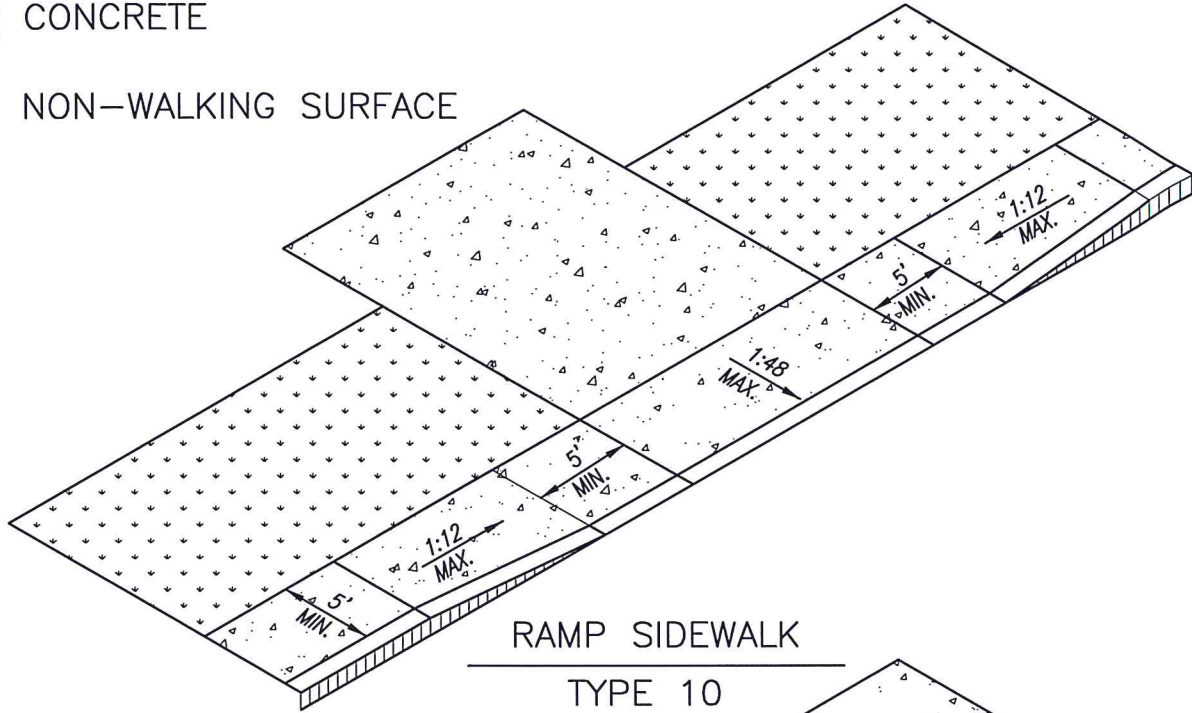


T-35  
SCALE: N.T.S.  
ISSUE DATE: 08-01-13

LEGEND

 CONCRETE

 NON-WALKING SURFACE



NOTE: SIDEWALK MAY BE TAPERED TO 4' WIDTH ACROSS DRIVEWAY, AS NEEDED. TAPERS SHALL OCCUR OVER A LENGTH OF 10'.

**CITY OF KILLEEN**  
DEPARTMENT OF PUBLIC WORKS

**SIDEWALK TREATMENT  
AT DRIVEWAYS**

CONSTRUCTION STANDARDS AND DETAILS

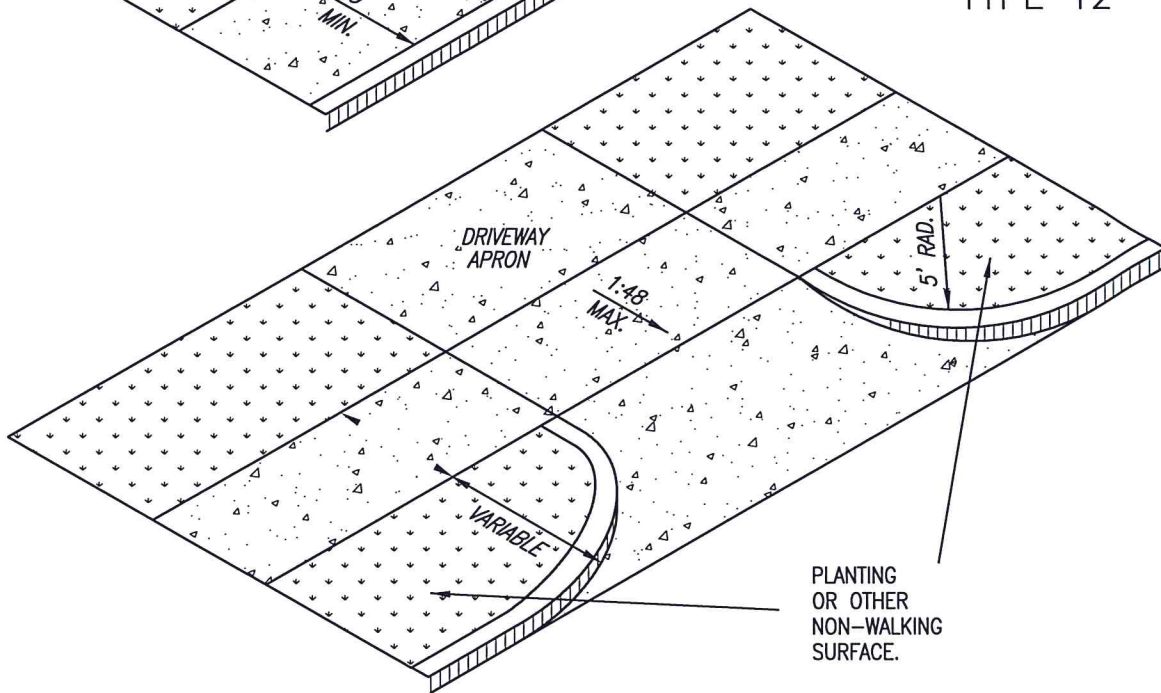
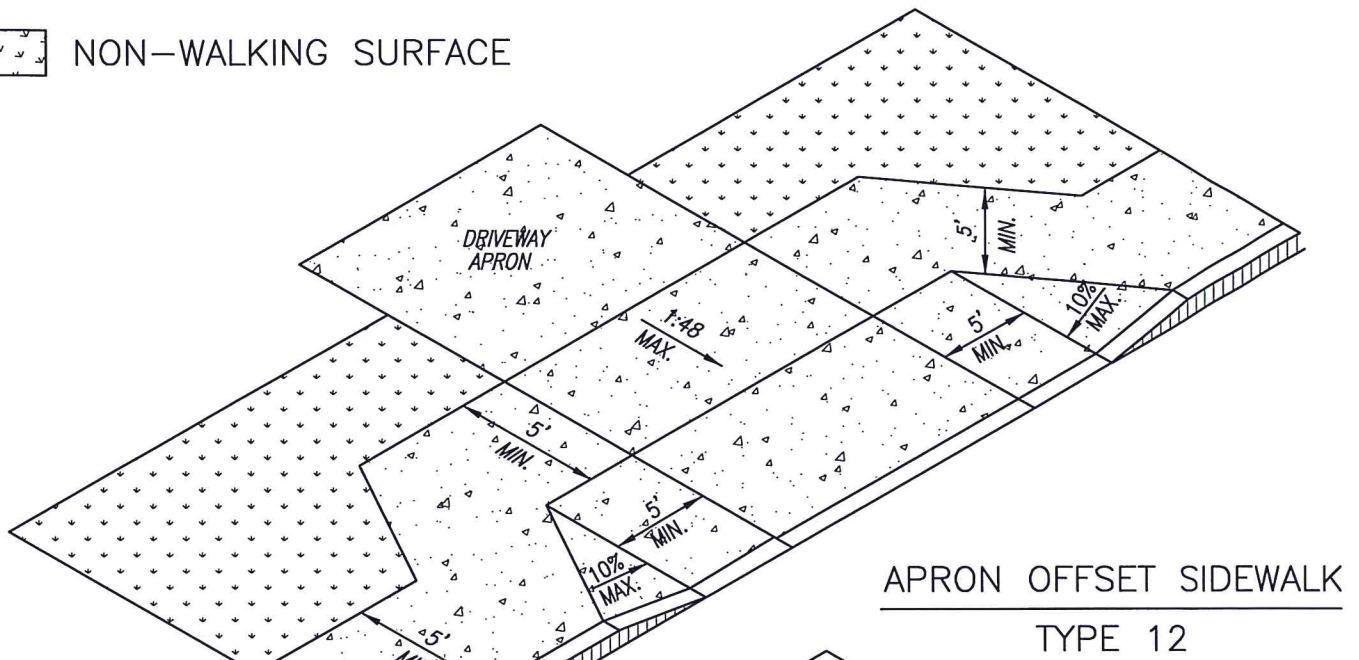


T-36  
SCALE: N.T.S.  
ISSUE DATE: 08-01-13

LEGEND

 CONCRETE

 NON-WALKING SURFACE



NOTE: SIDEWALK MAY BE TAPERED TO 4' WIDTH ACROSS DRIVEWAY, AS NEEDED. TAPERS SHALL OCCUR OVER A LENGTH OF 10'.

**CITY OF KILLEEN**  
DEPARTMENT OF PUBLIC WORKS

**DRIVEWAY APRONS**  
**TYPE 12-13**

CONSTRUCTION STANDARDS AND DETAILS



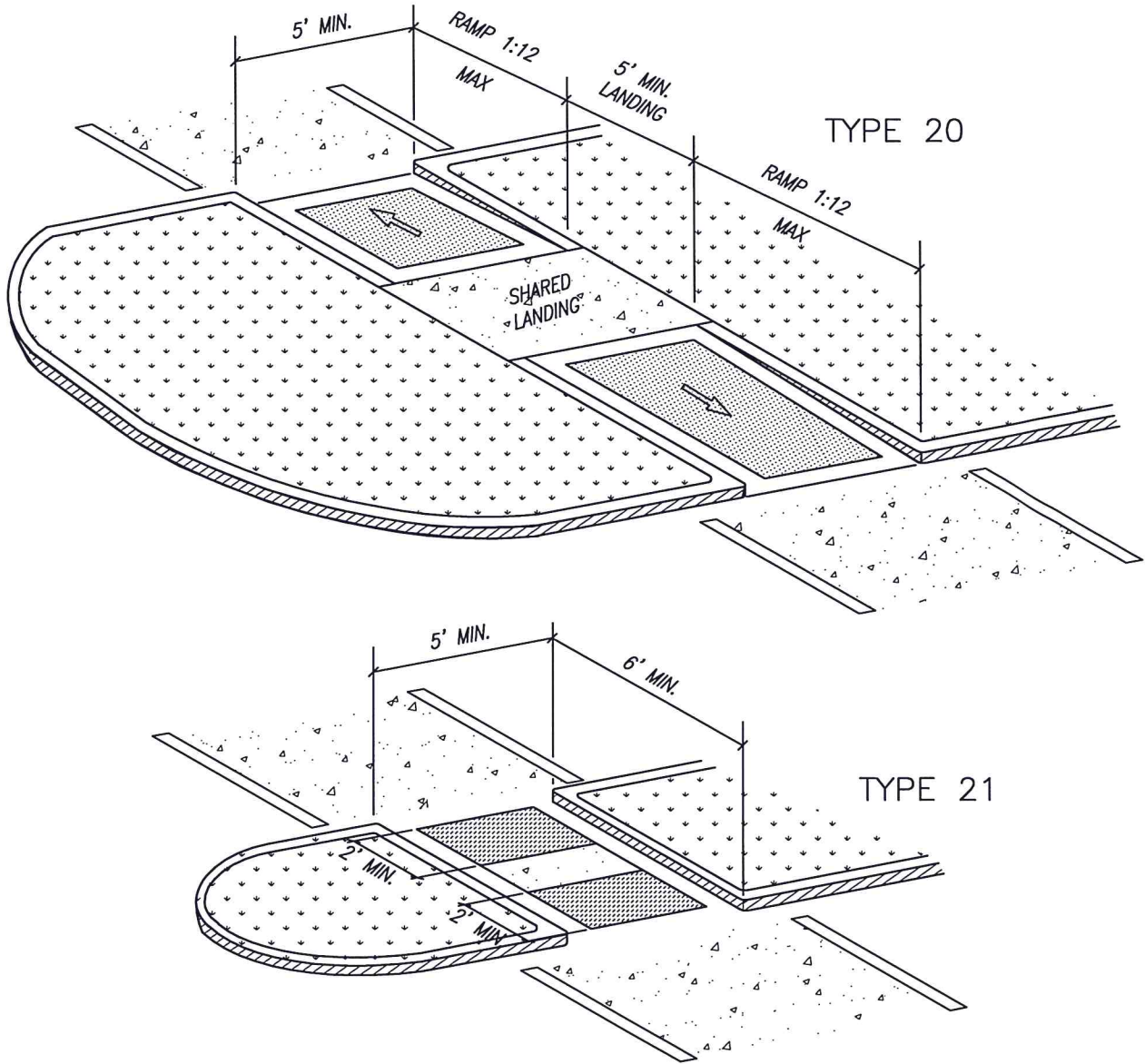
T-37  
SCALE: N.T.S.  
ISSUE DATE: 08-01-13

**LEGEND**

 DETECTABLE WARNING PAVERS  
SEE DETAIL T-39

 CONCRETE

 NON-WALKING SURFACE

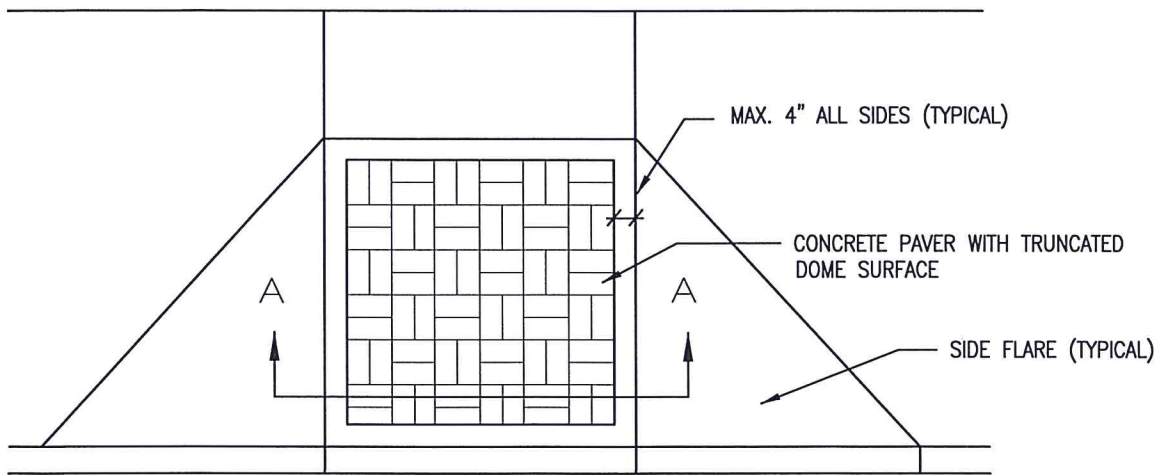


**CITY OF KILLEEN**  
DEPARTMENT OF PUBLIC WORKS

**CURB RAMP DETAILS AT  
MEDIAN ISLANDS TYPE 20-21**  
CONSTRUCTION STANDARDS AND DETAILS



T-38  
SCALE: N.T.S.  
ISSUE DATE: 08-01-13



**TRUNCATED DOME PATTERN CURB RAMP**

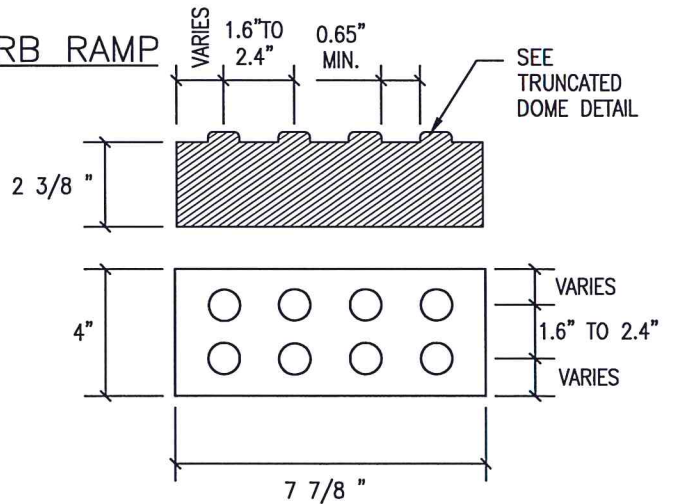
**GENERAL NOTES**

CONCRETE PAVER UNITS SHALL MEET ALL REQUIREMENTS OF ASTM C-936, C-33, AND SHALL BE LAID IN A TWO BY TWO UNIT BASKET WEAVE PATTERN, UNLESS SHOWN OTHERWISE IN THE PLANS.

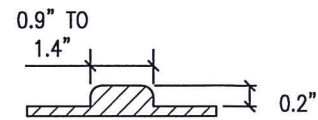
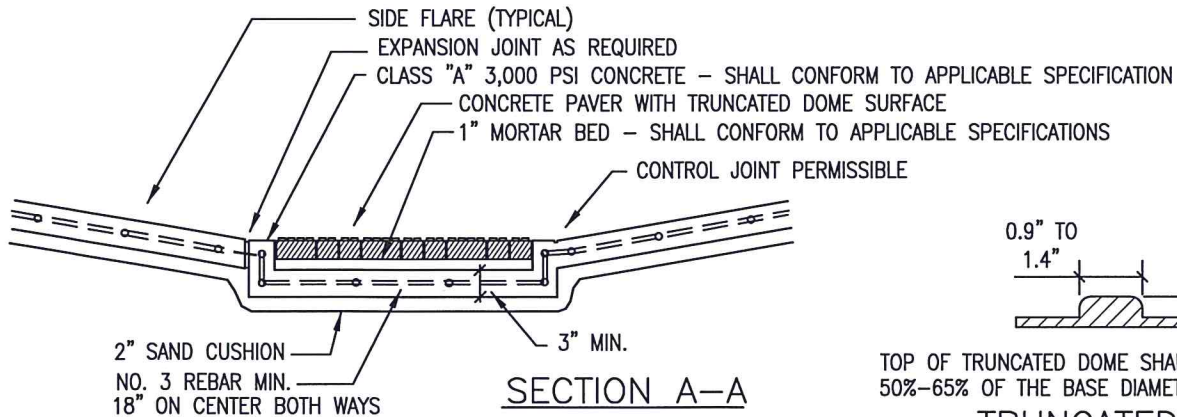
CONCRETE PAVER UNIT SHALL HAVE A TRUNCATED DOME TOP SURFACE FOR DETECTABLE WARNING TO PEDESTRIANS.

CONCRETE PAVER UNIT COLOR FOR THE RAMP SHALL BE A CONTRASTING COLOR TO THE ADJACENT SURFACES. THE COLOR OF THE CONCRETE PAVER UNITS SHALL BE SHOWN ELSEWHERE IN THE PLANS. (ADJACENT SURFACES INCLUDE SIDE FLARES).

CONCRETE PAVER UNITS SHALL BE SAW CUT ONLY AND ANY CUT UNIT SHALL BE NOT LESS THAN 25 PERCENT OF A FULL UNIT.



**CONCRETE PAVER WITH TRUNCATED DOME SURFACE**



TOP OF TRUNCATED DOME SHALL HAVE DIAMETER OF 50%-65% OF THE BASE DIAMETER.

**TRUNCATED DOME**

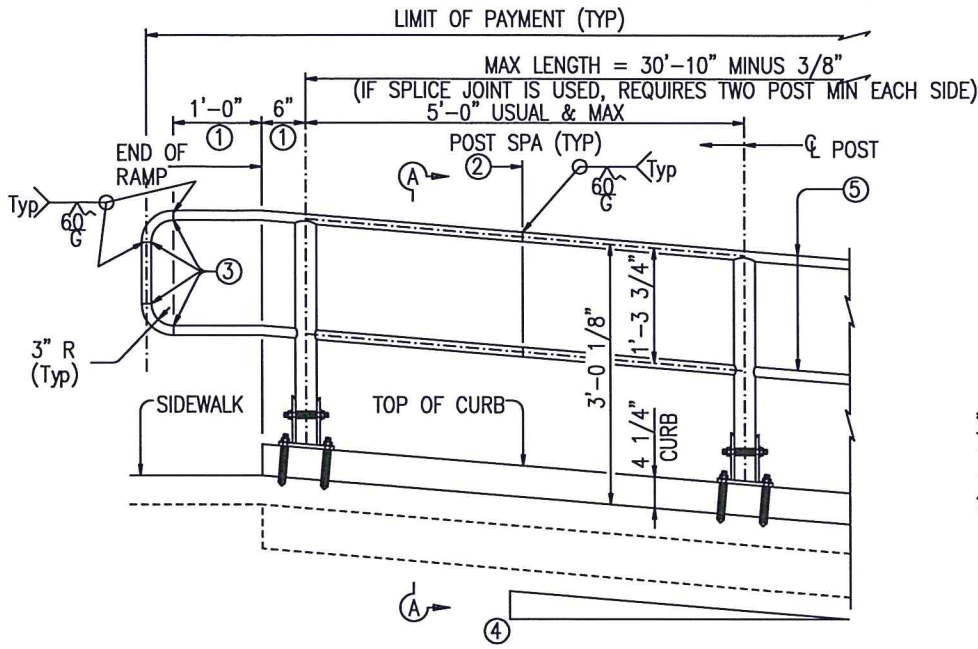
**CITY OF KILLEEN  
DEPARTMENT OF PUBLIC WORKS**

**CURB RAMP DETECTABLE  
WARNING PAVERS**

**CONSTRUCTION STANDARDS AND DETAILS**



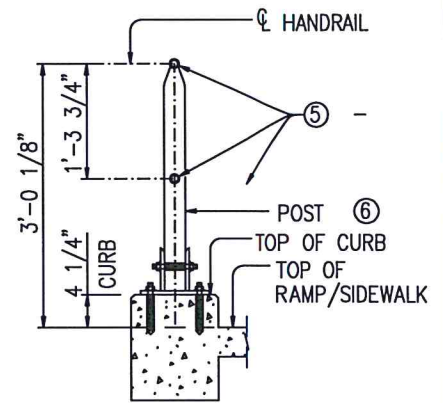
T-39  
SCALE: N.T.S.  
ISSUE DATE: 08-01-13



TxDOT TY A

ELEVATION

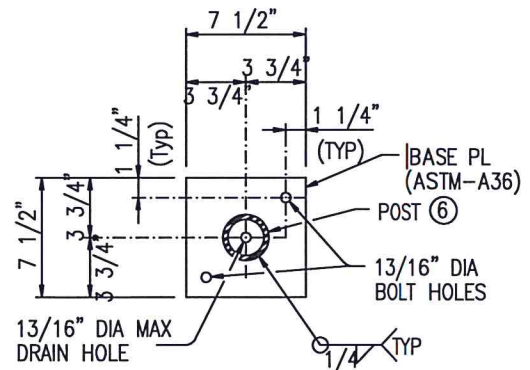
(SHOP SPLICES AND SPLICE JOINTS ONLY SHOWN ON ONE TYPE FOR CLARITY)



SECTION A-A

(SHOWING HANDRAIL TY A)

- ① PARALLEL TO GROUND.
- ② ONE SHOP SPLICE PER PANEL IS PERMITTED WITH MINIMUM 85 PERCENT PENETRATION. THE WELD MAY BE SQUARE GROOVE OR SINGLE VEE GROOVE. GRIND SMOOTH.
- ③ SHOP SPLICE IS PERMITTED WITH MINIMUM 85 PERCENT PENETRATION. THE WELD MAY BE SQUARE GROOVE OR SINGLE VEE GROOVE. GRIND SMOOTH.
- ④ SEE RAMP DETAILS LOCATED ELSEWHERE IN PLANS FOR RAMP SLOPE AND DIMENSIONS. MAXIMUM RAMP SLOPE WILL NOT EXCEED 8.3 PERCENT. LEVEL LANDING REQUIRED FOR EACH 30" RISE IF GRADE EXCEEDS 5 PERCENT.
- ⑤ 1" DIA EXTRA HEAVY PIPE (1.315" O.D., 0.179" WALL THICKNESS). PARALLEL TO RAMP/SIDEWALK. PROVIDE HOLES AS NEEDED IN 1" DIA PIPE FOR GALVANIZING DRAINAGE AND VENTING.
- ⑥ 2" DIA STANDARD PIPE (2.875" O.D., 0.203" WALL THICKNESS). PLUMB ALL POSTS. SEE "POST MOUNT DETAIL" FOR CRIMPING AND TRIMMING POST TO FIT DIA OF TOP RAIL. PROVIDE HOLES AS NEEDED IN POST FOR GALVANIZING DRAINAGE AND VENTING.



TYPICAL POST  
BASE PLATE DETAIL

CITY OF KILLEEN  
DEPARTMENT OF PUBLIC WORKS

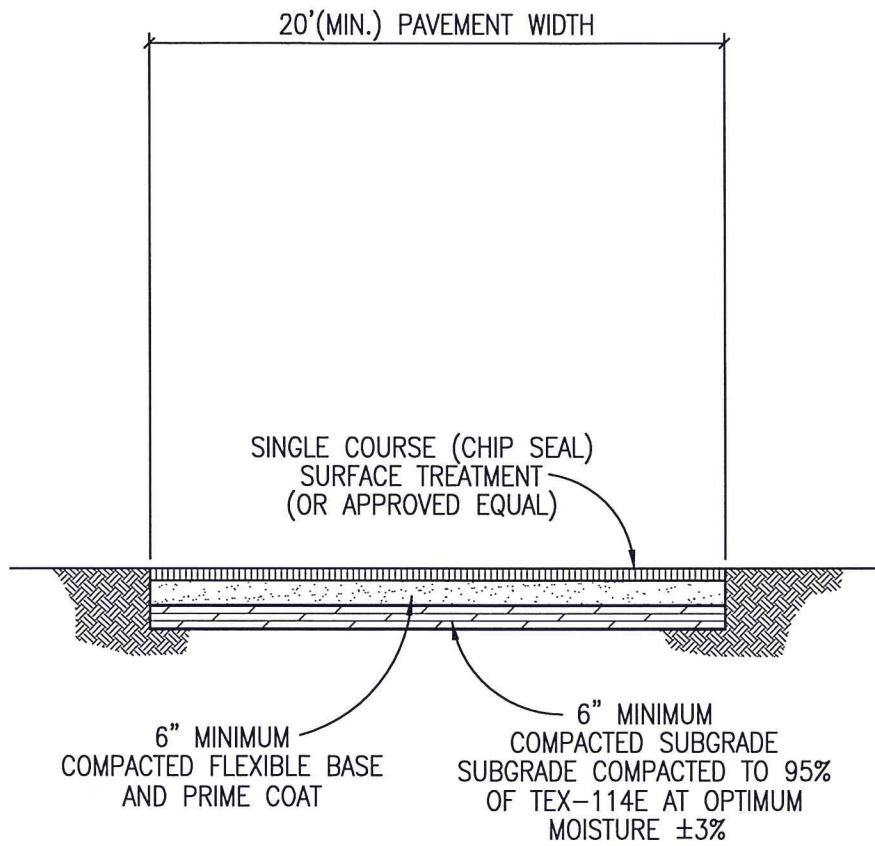
REMOVABLE  
HAND RAIL

CONSTRUCTION STANDARDS AND DETAILS



T-40  
SCALE: N.T.S.  
ISSUE DATE: 08-01-13





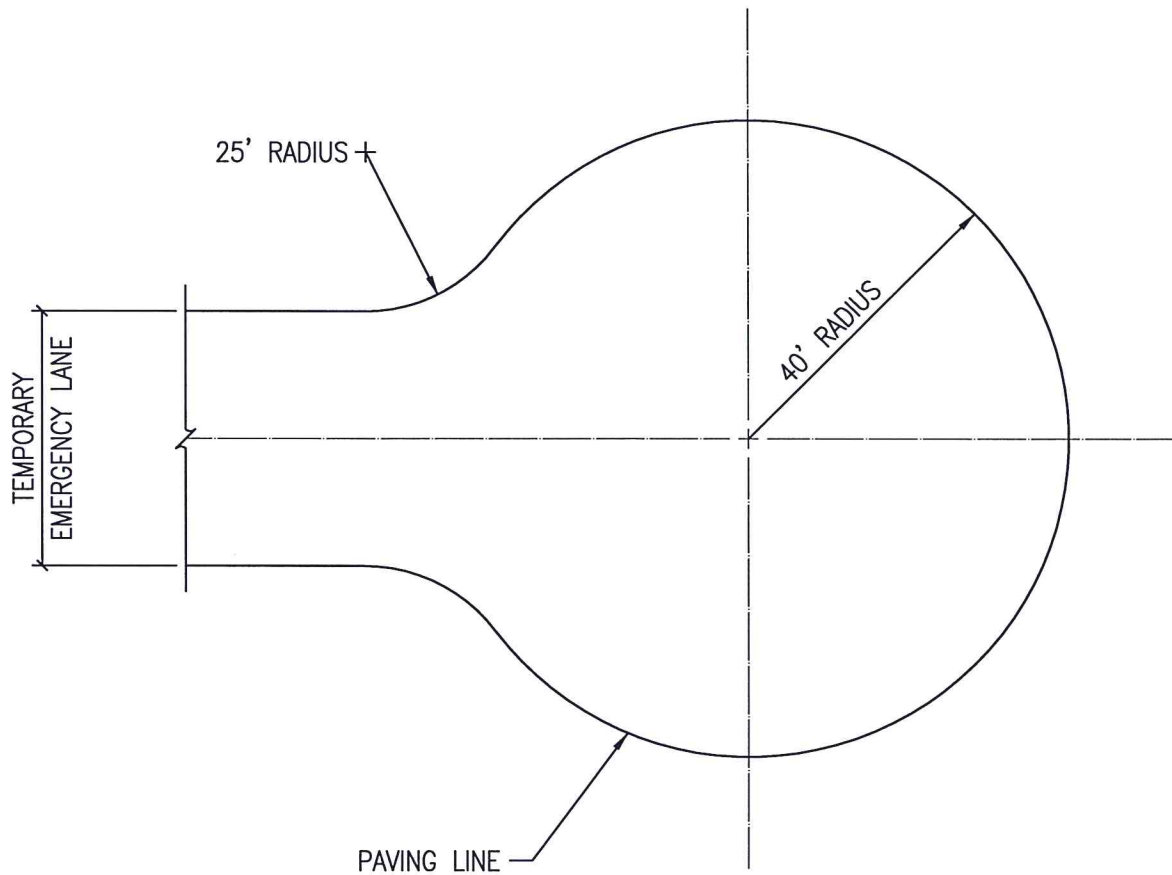
**CITY OF KILLEEN**  
DEPARTMENT OF PUBLIC WORKS

TEMPORARY ALL WEATHER  
DRIVING SURFACE

CONSTRUCTION STANDARDS AND DETAILS



T-41  
SCALE: N.T.S.  
ISSUE DATE: 08-01-13



NOTES:

1. CONSTRUCTION OF TEMPORARY ALL WEATHER DRIVING SURFACE TURN AROUND SHALL BE IN ACCORDANCE WITH DETAIL T-41.

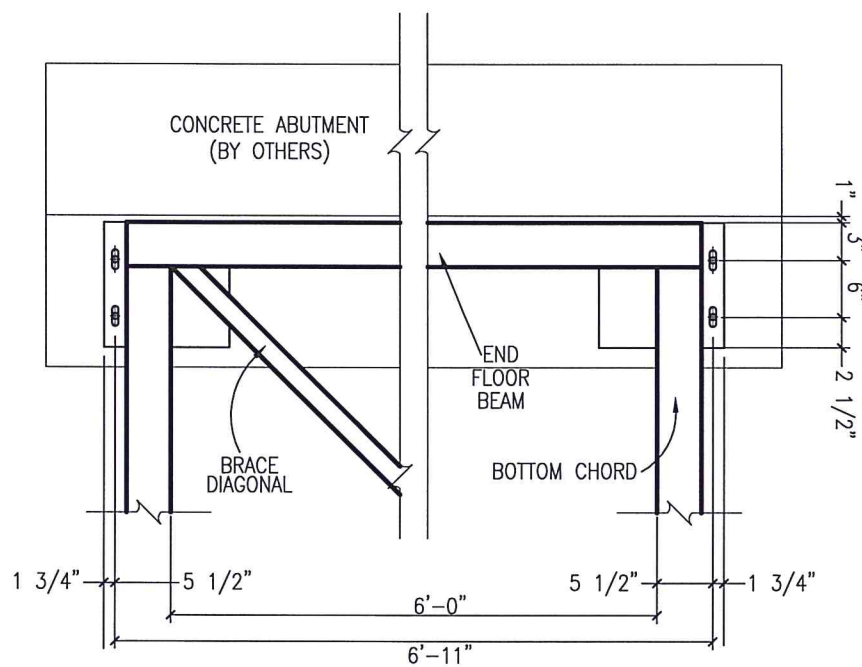
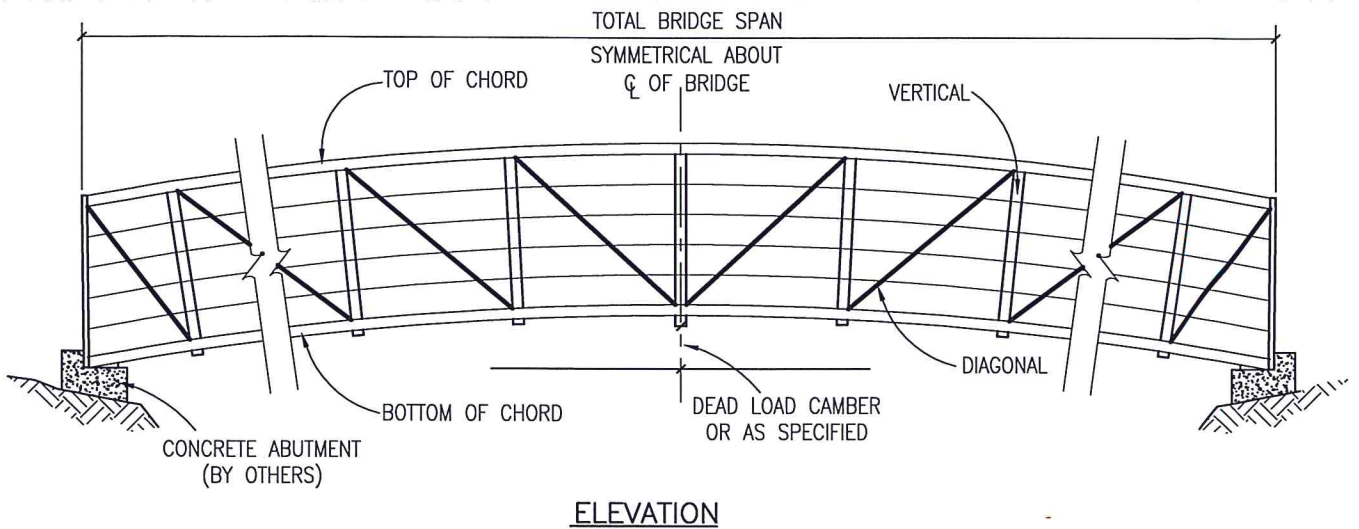
**CITY OF KILLEEN**  
DEPARTMENT OF PUBLIC WORKS

**TEMPORARY ALL WEATHER  
DRIVING SURFACE TURN AROUND**

CONSTRUCTION STANDARDS AND DETAILS



T-42  
SCALE: N.T.S.  
ISSUE DATE: 08-01-13



**NOTES:**

1. PEDESTRIAN BRIDGE SHALL BE MANUFACTURED BY CONTINENTAL BRIDGE OR APPROVED EQUAL.
2. DIMENSIONS SHOWN ARE BASED ON 15' BRIDGE SPAN. DIMENSIONS FOR OTHER BRIDGE SPANS SHALL BE VERIFIED BY PROJECT ENGINEER.
3. COLOR OF PEDESTRIAN BRIDGE TO BE DETERMINED BY CITY OF KILLEEN PARKS DIRECTOR.

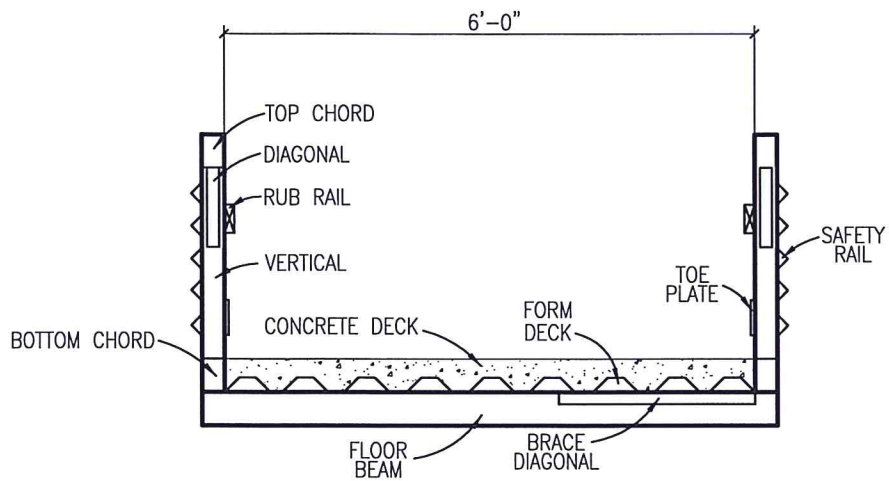
**CITY OF KILLEEN**  
DEPARTMENT OF PUBLIC WORKS

**PEDESTRIAN BRIDGE**  
**ELEVATION AND BEARING ASSEMBLY**

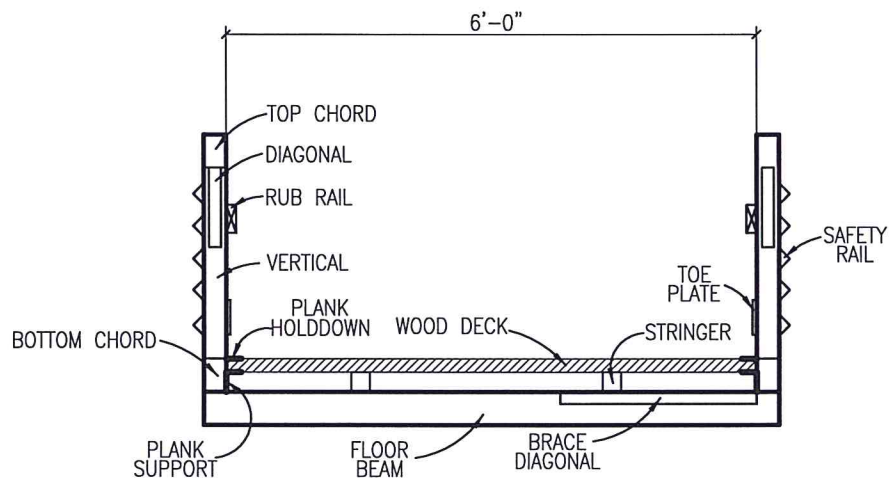
CONSTRUCTION STANDARDS AND DETAILS



T-43  
SCALE: N.T.S.  
ISSUE DATE: 08-01-13



BRIDGE SECTION



BRIDGE SECTION

NOTES:

1. PEDESTRIAN BRIDGE SHALL BE MANUFACTURED BY CONTINENTAL BRIDGE OR APPROVED EQUAL.
2. DIMENSIONS SHOWN ARE BASED ON 15' BRIDGE SPAN. DIMENSIONS FOR OTHER BRIDGE SPANS SHALL BE VERIFIED BY PROJECT ENGINEER.
3. COLOR OF PEDESTRIAN BRIDGE TO BE DETERMINED BY CITY OF KILLEEN PARKS DIRECTOR.

**CITY OF KILLEEN**  
DEPARTMENT OF PUBLIC WORKS

**PEDESTRIAN BRIDGE  
SECTIONS**

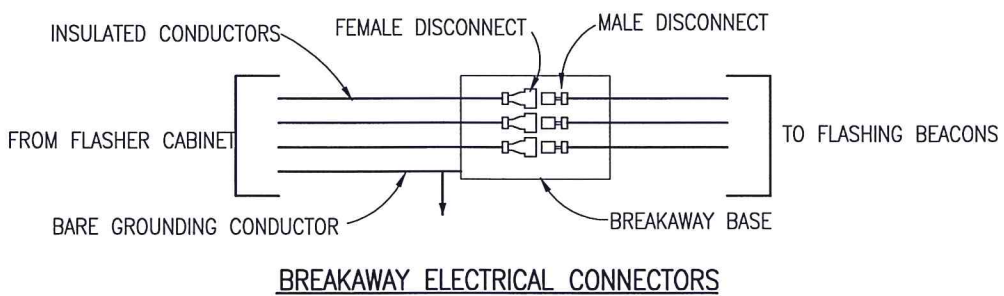
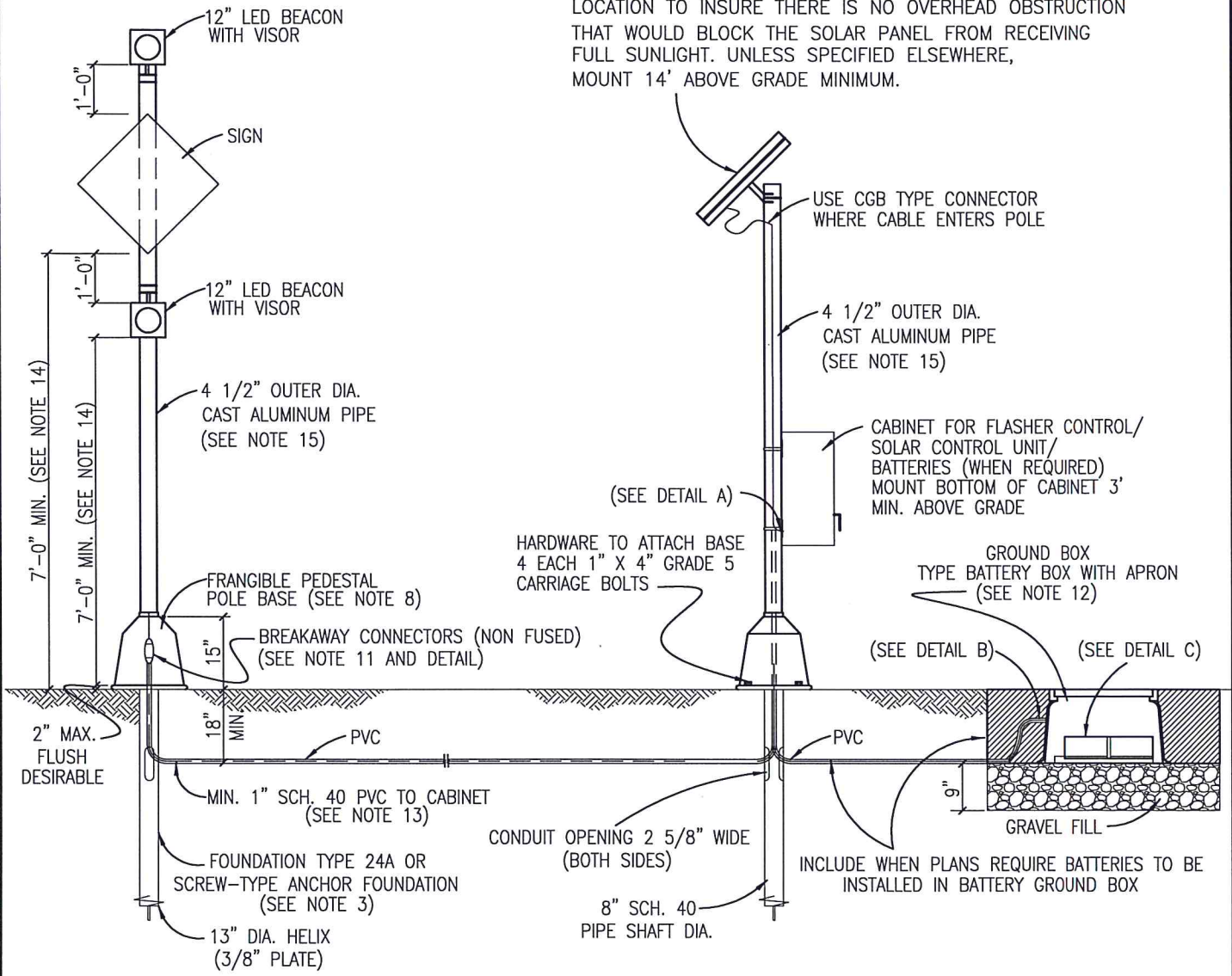
CONSTRUCTION STANDARDS AND DETAILS



T-44  
SCALE: N.T.S.  
ISSUE DATE: 08-01-13

\* - SEE SHEET T-46 FOR NOTES.

ORIENT PANEL FOR OPTIMUM EXPOSURE TO SUNLIGHT (FACE TO SOUTH). PRIOR TO INSTALLATION, CHECK THE LOCATION TO INSURE THERE IS NO OVERHEAD OBSTRUCTION THAT WOULD BLOCK THE SOLAR PANEL FROM RECEIVING FULL SUNLIGHT. UNLESS SPECIFIED ELSEWHERE, MOUNT 14' ABOVE GRADE MINIMUM.



**CITY OF KILLEEN**  
DEPARTMENT OF PUBLIC WORKS

**SOLAR POWERED ROADSIDE FLASHING BEACON  
ASSEMBLY DETAILS (ALUMINUM)**

CONSTRUCTION STANDARDS AND DETAILS



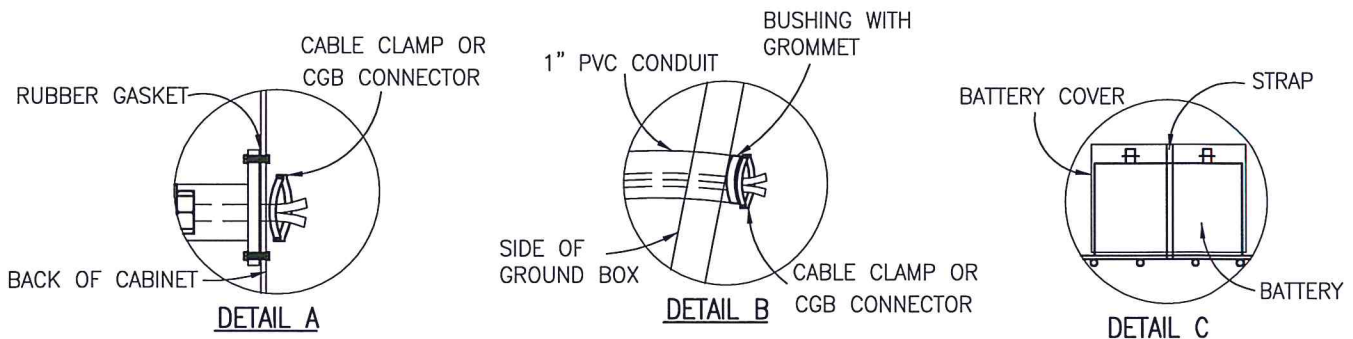
T-45  
SCALE: N.T.S.  
ISSUE DATE: 08-01-13

**NOTES:**

1. DETAILS SHOW A TYPICAL WARNING SIGN WITH TWO FLASHING BEACON HEADS, OTHER ARRANGEMENTS ARE POSSIBLE WHEN ONLY ONE BEACON IS REQUIRED, INSTALL THE UPPER BEACON.
2. SEE TxDOT ITEM 685, "ROADSIDE FLASHING BEACON ASSEMBLIES" FOR FURTHER REQUIREMENTS.
3. USE EITHER A SCREW-IN TYPE ANCHOR FOUNDATION OR 24" DRILL SHAFT FOUNDATION. INSTALL THE SCREW IN TYPE ANCHOR FOUNDATION AS SHOWN. ON SLOPE, INSTALL ONE EDGE AT GROUND LEVEL.
4. WHEN USED, PROVIDE ONE OF THE FOLLOWING SCREW IN TYPE ANCHOR FOUNDATION:  
A.B. CHANCE, MODEL C11242NG4VP, COMPONENT PRODUCTS INC. MODEL CPI-SLSF-5TX,  
PELCO PRODUCTS INC. MODELS PB-5359, PB-5360 OR PB 5375 O OR APPROVED EQUAL.
5. PROVIDE CLEARANCE AS SHOWN ABOVE THE SIDEWALK OR PAVEMENT GRADE AT THE EDGE OF THE ROAD. WHEN A BOTTOM BEACON IS NOT USED, MOUNT THE SIGN AT LEAST 7' ABOVE THE SIDEWALK OR PAVEMENT GRADE AT THE EDGE OF THE ROAD.
6. USE MATERIALS SPECIFICALLY DESIGNED FOR ATTACHING CABINETS, BEACON HEADS, SOLAR PANELS, ECT. TO POLES.
7. CONDUIT IN FOUNDATION AND WITHIN 6" OF FOUNDATION IS SUBSIDIARY TO THE ITEM 685, "ROADSIDE FLASHING BEACON ASSEMBLIES."
8. PER MANUFACTURER'S RECOMMENDATIONS, ENGAGE ALL THREADS ON THE PEDESTAL POLE BASE AND PIPE UNLESS THE PIPE IS FULLY SEATED INTO BASE. IN HIGH WINDS, USE A POLE AND BASE COLLAR ASSEMBLY TO ADD STRENGTH AND PREVENT LOOSENING ON CONNECTION.
9. INSTALL BEACON HEADS AS SHOWN HERE, AS SHOWN ELSEWHERE ON THE PLANS, OR AS DIRECTED. USE HARDWARE SPECIFICALLY DESIGNED FOR MOUNTING BEACON HEADS ON POLES.
10. LOCATE THE TYPE LB CONDUIT BODY ATTACHMENT IN THE BOTTOM THIRD OF THE BACK OF THE CABINET.
11. PROVIDE NON FUSED WATERTIGHT BREAKAWAY ELECTRICAL CONNECTORS FOR BREAKAWAY POLES.  
(BUSSMANN HET, LITTLEFUSE LET, FERRAZ-SHAMUT FEBN OR APPROVED EQUAL)
12. INSTALL THE BATTERIES ON A 3/16" THICK PLASTIC SHEET AND CONNECT TOGETHER. PLACE A PLASTIC COVER (BATTERY BELL JAR) OVER THE TOP OF EACH BATTERY AND SECURE THE BATTERY BELL JAR TO THE BATTERY WITH A STRAP THE BATTERIES, BELL JARS, STRAPS AND 3/16" PLASTIC SHEET ARE SUBSIDIARY TO THE ITEM 685, "ROADSIDE FLASHING BEACON ASSEMBLIES." WHEN REQUIRED, INSTALL BATTERIES IN THE FLASHER CABINET. WIRE BATTERIES ACCORDING TO MANUFACTURES RECOMMENDATIONS.
13. UNLESS OTHERWISE RECOMMENDED BY THE MANUFACTURER, USE THE FOLLOWING TABLE TO DETERMINE THE WIRE SIZE FROM CABINET TO BEACONS.

DISTANCE FROM CABINET TO BEACONS (FT)	MINIMUM REQUIRED WIRE SIZE (AWG)
0 - 35	#14
35 - 60	#12
60 - 100	#10
> 100	#8

14. PROVIDE CLEARANCE AS SHOWN ABOVE THE SIDEWALK OR PAVEMENT GRADE AT THE EDGE OF THE ROAD. WHEN A BOTTOM BEACON IS NOT USED, MOUNT THE SIGN AT LEAST 7' ABOVE THE SIDEWALK OR PAVEMENT GRADE AT THE EDGE OF THE ROAD.
15. UNLESS OTHERWISE SHOWN ON THE PLANS, POLE SHAFT SHALL BE ONE PIECE, SCH. 40 ALUMINUM PIPE, ASTM B429 OR B221 (ALLOY 6061-T6 ONLY). ALUMINUM CONDUIT WILL NOT DEVELOP THE NECESSARY STRENGTH AND WILL NOT BE ALLOWED.



**CITY OF KILLEEN  
DEPARTMENT OF PUBLIC WORKS**

**SOLAR POWERED ROADSIDE FLASHING BEACON  
ASSEMBLY**

**CONSTRUCTION STANDARDS AND DETAILS**



T-46  
SCALE: N.T.S.  
ISSUE DATE: 08-01-13